



## ***S Model Ice Machines***

### **Installation, Use & Care Manual**

This manual is updated as new information and models are released.

Visit our website for the latest manual. [www.manitowocice.com](http://www.manitowocice.com)

**This manual contains English and French text**

# Table of Contents

---

## Section 1

### General Information

<b>Model Numbers</b> .....	4
Ice Deflector .....	4
Bin Installation .....	4
Dispenser Installation .....	4

## Section 2

### Installation Instructions

<b>Location of Ice Machine</b> .....	5
<b>Clearance Requirements</b> .....	5
<b>Ice Machine Heat of Rejection</b> .....	6
<b>Removing Drain Plug and Leveling the Ice Storage Bin</b> .....	6
<b>Air Baffle</b> .....	6
<b>Electrical Service</b> .....	7
Voltage .....	7
Fuse/Circuit Breaker .....	7
Minimum Circuit Ampacity .....	7
Electrical Requirements .....	7
Ground Fault Circuit Interrupter .....	7
Minimum Power Cord Specifications .....	7
For United Kingdom Only .....	7
<b>Maximum Breaker Size &amp; Minimum Circuit Amperage Chart</b> .....	8
<b>Water Supply and Drain Requirements</b> .....	9
Water Supply .....	9
Water Inlet Lines .....	9
Drain Connections .....	9
Water-Cooled Condenser Water Pressure .....	9
Cooling Tower Applications (Water-Cooled Models) .....	9
<b>Water Supply and Drain Line Sizing/Connections</b> .....	10
<b>Remote Condenser/Line Set Installation</b> .....	11
Remote Ice Machines	
Refrigerant Charge .....	11
General .....	12
Guidelines for Routing Line Sets .....	12
Calculating Remote Condenser Installation Distances .....	13
Lengthening or Reducing Line Set Lengths .....	14
Connecting A Line Set .....	14
Remote Receiver Service Valve .....	14
<b>Remote Ice Machine Usage with Non-Manitowoc Multi-Circuit Condensers</b> .....	15
Warranty .....	15
Head Pressure Control Valve .....	15
Fan Motor .....	15
Internal Condenser Volume .....	15
Condenser $\Delta T$ .....	15
Refrigerant Charge .....	15
Quick Connect Fittings .....	15
Non-Manitowoc Multi-Circuit Condenser Sizing Chart .....	16
<b>Installation Check List</b> .....	17
<b>Additional Checks for Remote Models</b> .....	17
<b>Before Starting the Ice Machine</b> .....	17

## Table of Contents (continued)

---

### Section 3 Operation

<b>Ice Making Sequence Of Operation</b> .....	<b>18</b>
Safety limits .....	<b>18</b>
<b>Operational Checks</b> .....	<b>19</b>
General .....	<b>19</b>
Ice Thickness Check .....	<b>19</b>

### Section 4 Maintenance

<b>Cleaning and Sanitizing</b> .....	<b>20</b>
General .....	<b>20</b>
Cleaning/Sanitizing Procedure .....	<b>20</b>
Heavily Scaled Cleaning Procedure .....	<b>20</b>
Exterior Cleaning .....	<b>20</b>
<b>Cleaning / Sanitizing Procedure</b> .....	<b>21</b>
Cleaning Procedure .....	<b>21</b>
Sanitizing Procedure .....	<b>22</b>
<b>Procedure to Clean Heavily Scaled Ice Machines</b> .....	<b>23</b>
Cleaning Procedure .....	<b>23</b>
Sanitizing Procedure .....	<b>24</b>
<b>Parts Removal for Cleaning/Sanitizing</b> .....	<b>26</b>
<b>Exterior Cleaning</b> .....	<b>28</b>
<b>Door Removal</b> .....	<b>28</b>
<b>Cleaning the Condenser</b> .....	<b>28</b>
General .....	<b>28</b>
<b>Removal from Service/Winterization</b> .....	<b>28</b>

### Section 5 Customer Support

<b>Checklist</b> .....	<b>29</b>
<b>Safety Limit Feature</b> .....	<b>30</b>
<b>Commercial Ice Machine Warranty</b> .....	<b>31</b>
<b>Residential Ice Machine Limited Warranty</b> .....	<b>32</b>

# Section 1

## General Information

### Model Numbers

This manual covers the following models:

Self-Contained Air-Cooled	Self-Contained Water-Cooled	Remote
SD0302A SY0304A	SD0303W SY0305W	----
SD0322A SY0324A	SD0323W SY0325W	----
SR0420A SD0422A SY0424A	SR0421W SD0423W SY0425W	----
SD0452A SY0454A	SD0453W SY0455W	----
SR0500A SD0502A SY0504A	SR0501W SD0503W SY0505W	SR0590N SD0592N SY0594N
SD0602A SY0604A	SD0603W SY0605W	SD0692N SY0694N
SR0850A SD0852A SY0854A	SR0851W SD0853W SY0855W	SR0890N SD0892N SY0894N
SD1002A SY1004A	SD1003W SY1005W SD1003WM	SD1092N SY1094N
SD1202A SY1204A	SD1203W SY1205W	----
SD1402A SY1404A	SD1403W SY1405W SD1403WM	SD1492N SY1494N
SR1600A SD1602A SY1604A	SR1601W SD1603W SY1605W	SR1690N SD1692N SY1694N
SR1800A SD1802A SY1804A	SR1801W SD1803W SY1805W	SR1890N SD1892N SY1894N
----	SD3303W SD3303WHP SY3305W SY3305WHP SD3303WM	----

NOTE: Model numbers ending in HP indicate High Pressure water regulating valve. Standard pressure = 150 psi (10.34 bar) High pressure = 350 psi (24.13 bar)

#### **Warning**

Remove all ice machine panels before lifting and installing.

### ICE DEFLECTOR

An ice deflector is required when the ice machine is installed on a bin. An ice deflector is not required when the ice machine is installed on a dispenser.

#### **Warning**

Manitowoc ice machines require a deflector when installed on an ice storage bin.

Prior to using a non-Manitowoc ice storage system with Manitowoc ice machines, contact the manufacturer to assure their ice deflector is compatible with Manitowoc ice machines.

#### **Warning**

Do not operate equipment that has been misused, abused, neglected, damaged, or altered/modified from that of original manufactured specifications.

This appliance is not intended for use by persons (including children) with reduced physical, sensory or mental capabilities, or lack of experience and knowledge, unless they have been given supervision concerning use of the appliance by a person responsible for their safety.

#### **Warning**

S3000C ice machines are only approved for use on Manitowoc B1100-00/B1400-00 bins.

### BIN INSTALLATION

- All ice machines installed on a bin require an ice deflector.
- Manitowoc bins have a deflector installed and require no modifications when used with a forward facing evaporator.
- Ice machines with multiple evaporators require a deflector kit.

### DISPENSER INSTALLATION

- No adapter is needed for machines that match the size of the dispenser unless required by the dispenser manufacturer.
- No deflector is required unless specified by the dispenser manufacturer.
- A bin thermostat to control ice level is recommended.

## Section 2

# Installation Instructions

### Location of Ice Machine

The location selected for the ice machine must meet the following criteria. If any of these criteria are not met, select another location.

- The location must be free of airborne and other contaminants.
- The air temperature must be at least 35°F (1.6°C), but must not exceed 110°F (43.4°C).
- Remote air cooled - The air temperature must be at least -20°F (-29°C), but must not exceed 120°F (49°C).
- The location must not be near heat-generating equipment or in direct sunlight and must be protected from weather.
- The location must not obstruct air flow through or around the ice machine. Refer to the chart below for clearance requirements.

### Clearance Requirements

S300	Self-Contained Air-Cooled	Self-Contained Water-Cooled
Top/Sides	16" (40.6 cm)	8" (20.3 cm)
Back	5" (12.7 cm)	5" (12.7 cm)

S320/S450/S500/S600/S850/S1000	Self-Contained Air-Cooled	Water-Cooled and Remote*
Top/Sides	8" (20.3 cm)	8" (20.3 cm)
Back	5" (12.7 cm)	5" (12.7 cm)

S420	Self-Contained Air-Cooled	Water-Cooled and Remote*
Top/Sides	12" (30.5 cm)	8" (20.3 cm)
Back	5" (12.7 cm)	5" (12.7 cm)

S500 230/50/1 Tropical Rating	Self-Contained Air-Cooled
Top	24" (61 cm)
Sides/Back	12" (30.5 cm)

S1200	Self-Contained Air-Cooled	Water-Cooled and Remote*
Top	8" (20.3 cm)	8" (20.3 cm)
Sides	12" (30.5 cm)	8" (20.3 cm)

S1400/S1600/S1800	Self-Contained Air-Cooled	Water-Cooled and Remote*
Top/Sides	24" (61.0 cm)	8" (20.3 cm)
Back	12" (30.5 cm)	5" (12.7 cm)

S3300**	Water-Cooled
Top/Sides	8" (20.3 cm)
Back	24" (61.0 cm)

\*There is no minimum clearance required for water-cooled or remote ice machines. This value is recommended for efficient operation and servicing only.

\*\*S3300 - 24" on all sides is recommended to allow access without moving the bin/ice machine.

#### **Caution**

The ice machine must be protected if it will be subjected to temperatures below 32°F (0°C). Failure caused by exposure to freezing temperatures is not covered by the warranty.

### Ice Machine Heat of Rejection

Series Ice Machine	Heat of Rejection	
	Air Conditioning	Peak
S300	5000	6000
S320	3800	6000
S420	5900	6900
S450	5900	6900
S500	6100	6900
S600	9000	13900
S850	13000	16000
S1000	17700	21000
S1200	20700	24500
S1400	23500	27000
S1600	21000	31000
S1800	30000	35000
S3300	45000	51000

B.T.U./Hour  
 Because the heat of rejection varies during the ice making cycle, the figure shown is an average.

Ice machines, like other refrigeration equipment, reject heat through the condenser. It is helpful to know the amount of heat rejected by the ice machine when sizing air conditioning equipment where self-contained air-cooled ice machines are installed.

This information is also necessary when evaluating the benefits of using water-cooled or remote condensers to reduce air conditioning loads. The amount of heat added to an air conditioned environment by an ice machine using a water-cooled or remote condenser is negligible.

Knowing the amount of heat rejected is also important when sizing a cooling tower for a water-cooled condenser. Use the peak figure for sizing the cooling tower.

### Removing Drain Plug and Leveling the Ice Storage Bin

1. Remove threaded plug from drain fitting.
2. Screw the leveling legs onto the bottom of the bin.
3. Screw the foot of each leg in as far as possible.

**⚠ Caution**

The legs must be screwed in tightly to prevent them from bending.

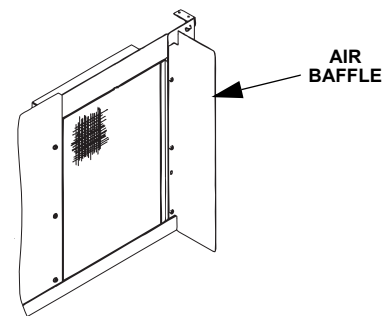
4. Move the bin into its final position.
5. Level the bin to assure that the bin door closes and seals properly. Use a level on top of the bin. Turn the base of each foot as necessary to level the bin.
6. Inspect bin gasket prior to ice machine installation. (Manitowoc bins come with a closed cell foam gasket installed along the top surface of the bin.)
7. Remove all panels from ice machine before lifting and installing on bin. Remove both front panels, top cover, left and right side panels.

### Air Baffle

#### SELF-CONTAINED AIR-COOLED ONLY

The air-cooled baffle prevents condenser air from recirculating. To install:

1. Remove the back panel screws next to the condenser.
2. Align the mounting holes in the air baffle with the screw holes and reinstall the screws.



## Electrical Service

### Warning

All wiring must conform to local, state and national codes.

### VOLTAGE

The maximum allowable voltage variation is  $\pm 10\%$  of the rated voltage at ice machine start-up (when the electrical load is highest).

### Warning

The ice machine must be grounded in accordance with national and local electrical codes.

All electrical work, including wire routing and grounding, must conform to local, state and national electrical codes. The following precautions must be observed:

- The ice machine must be grounded.
- A separate fuse/circuit breaker must be provided for each ice machine.
- A qualified electrician must determine proper wire size dependent upon location, materials used and length of run (minimum circuit ampacity can be used to help select the wire size).
- The maximum allowable voltage variation is  $\pm 10\%$  of the rated voltage at ice machine start-up (when the electrical load is highest).
- Check all green ground screws in the control box and verify they are tight before starting the ice machine.

### Important

Observe correct polarity of incoming line voltage. Incorrect polarity can lead to erratic ice machine operation.

### FUSE/CIRCUIT BREAKER

A separate fuse/circuit breaker must be provided for each ice machine. Circuit breakers must be H.A.C.R. rated (does not apply in Canada).

### MINIMUM CIRCUIT AMPACITY

The minimum circuit ampacity is used to help select the wire size of the electrical supply. (Minimum circuit ampacity is not the ice machine's running amp load.)

The wire size (or gauge) is also dependent upon location, materials used, length of run, etc., so it must be determined by a qualified electrician.

### ELECTRICAL REQUIREMENTS

Refer to Ice Machine Model/Serial Plate for voltage/ampere specifications.

### GROUND FAULT CIRCUIT INTERRUPTER

Ground Fault Circuit Interrupter (GFCI/GFI) protection is a system that shuts down the electric circuit (opens it) when it senses an unexpected loss of power, presumably to ground. Manitowoc Ice does not recommend the use of a GFCI/GFI circuit protection with our equipment. If code requires the use of a GFCI/GFI then you must follow the local code. The circuit must be dedicated, sized properly and there must be a panel GFCI/GFI breaker. We do not recommend GFCI/GFI outlets as they are known for more intermittent nuisance trips than panel breakers.

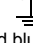
### MINIMUM POWER CORD SPECIFICATIONS

Maximum Breaker Size	Minimum Wire Size	Maximum Length of Power Cord
15 amp	14 gauge	6 feet (1.83 m)
20 amp	12 gauge	6 feet (1.83 m)
30 amp	10 gauge	6 feet (1.83 m)
40 amp	8 gauge	6 feet (1.83 m)

If a power cord is used, the wire size to the receptacle is dependent upon location, materials used, length of run, etc., so it must be determined by a qualified electrician. Local, state or national requirements will supersede our minimum requirements.

#### FOR UNITED KINGDOM ONLY

As the colors of the wires in the mains lead of the appliance may not correspond with the colored markings identifying the terminals in your plug, proceed as follows:

- The wire which is colored green and yellow must be connected to the terminal in the plug which is marked with the letter E or by the earth ground symbol  or colored green or green and yellow.
- The wire colored blue must be connected to the terminal which is marked with the letter N or colored black.
- The wire colored brown must be connected to the terminal which is marked with the letter L or colored red.

**Maximum Breaker Size & Minimum Circuit Amperage Chart**

**Important**

Due to continuous improvements, this information is for reference only. Please refer to the ice machine serial number tag to verify electrical data. Serial tag information overrides information listed on this page.

**Important**

S3300 Only - Verify the direction of rotation correct is correct on the 3ph scroll compressor. The ice machine will have high suction pressure, low discharge pressure and will be noticeably loud. Reverse any two incoming power leads to reverse rotation.

Ice Machine	Voltage/ Phase/ Cycle	Air-Cooled		Water Cooled		Remote	
		Maximum Fuse/Circuit Breaker	Minimum Circuit Amps	Maximum Fuse/Circuit Breaker	Minimum Circuit Amps	Maximum Fuse/Circuit Breaker	Minimum Circuit Amps
S300	115/1/60	25	15.6	25	14.8	N/A	N/A
	230/1/50	15	7.4	15	6.9	N/A	N/A
	230/1/60	15	6.7	15	6.3	N/A	N/A
S320	115/1/60	15	11.3	15	10.5	N/A	N/A
	208-230/1/60	15	6.0	15	5.6	N/A	N/A
	230/1/50	15	6.0	15	5.6	N/A	N/A
S420/S450	115/1/60	20	14.2	20	13.5	N/A	N/A
	208-230/1/60	15	6.1	15	5.7	N/A	N/A
	230/1/50	15	7.1	15	6.8	N/A	N/A
S500	115/1/60	20	20.0	20	13.5	25	20.0
	208-230/1/60	15	6.1	15	5.7	15	8.3
	230/1/50	15	7.1	15	6.8	15	6.7
S600	208-230/1/60	15	8.3	15	7.9	15	8.9
	230/1/50	15	6.7	15	6.1	15	7.1
S850	208-230/1/60	20	11.9	20	10.9	20	11.9
	208-230/3/60	15	9.2	15	8.2	15	9.2
	230/1/50	20	10.8	20	9.4	15	10.4
S1000	208-230/1/60	30	17.3	30	16.3	25	15.7
	208-230/3/60	15	10.6	15	9.6	15	10.6
	230/1/50	20	12.7	20	11.3	20	12.3
	460/3/60	N/A	N/A	15	4.5	N/A	N/A
S1200	208-230/1/60	35	25.0	35	25.0	N/A	N/A
	208-230/3/60	20	16.0	20	16.0	N/A	N/A
	230/1/50	30	20.0	30	20.0	N/A	N/A
S1400	208-230/1/60	30	18.3	30	16.9	30	17.9
	208-230/3/60	20	13.2	20	11.8	20	12.8
	230/1/50	30	15.1	30	13.7	30	14.7
	440-480/3/60	N/A	N/A	15	6.4	N/A	N/A
S1600	208-230/1/60	30	19.8	30	18.4	30	19.4
	208-230/3/60	20	13.5	20	12.1	20	13.1
	230/1/50	30	16.7	30	15.3	30	16.3
S1800	208-230/1/60	40	23.8	40	22.4	40	23.4
	208-230/3/60	25	15.4	25	14.0	25	15.0
	230/1/50	40	21.9	40	20.5	40	21.5
S3300	208-230/1/60	N/A	N/A	N/A	N/A	N/A	N/A
	208-230/3/60	N/A	N/A	30	30	N/A	N/A
	230/1/50	N/A	N/A	N/A	N/A	N/A	N/A
	440-480/3/60	N/A	N/A	15	9.9	N/A	N/A



## Water Supply and Drain Requirements

### WATER SUPPLY

Local water conditions may require treatment of the water to inhibit scale formation, filter sediment, and remove chlorine odor and taste.

### WATER INLET LINES

Follow these guidelines to install water inlet lines:

- If you are installing a Manitowoc Arctic Pure water filter system, refer to the Installation Instructions supplied with the filter system for ice making water inlet connections.
- Do not connect the ice machine to a hot water supply. Be sure all hot water restrictors installed for other equipment are working. (Check valves on sink faucets, dishwashers, etc.)
- If water pressure exceeds the maximum recommended pressure of 80 psi (552 kPa), obtain a water pressure regulator from your Manitowoc distributor.
- Install a water shut-off valve for both the ice making and condenser water lines.
- Insulate water inlet lines to prevent condensation.

#### **Caution**

Do not apply heat to water valve inlet fitting. This will damage plastic water inlet connection.

### DRAIN CONNECTIONS

Follow these guidelines when installing drain lines to prevent drain water from flowing back into the ice machine and storage bin:

- Drain lines must have a 1.5 inch drop per 5 feet of run (2.5 cm per meter), and must not create traps.
- The floor drain must be large enough to accommodate drainage from all drains.
- Run separate bin and ice machine drain lines. Insulate them to prevent condensation.
- Vent the bin and ice machine drain to the atmosphere. Do not vent the condenser drain on water-cooled models.
- S3300 requires base drain connection (1" FPT).

### WATER-COOLED CONDENSER WATER PRESSURE

Water pressure at the condenser cannot exceed 150 psig (10.34 bar) with the standard water-regulating valve. Contact your distributor if your water pressure is greater than 150 psig (10.34 bar). A special order condensing unit is available that allows water pressure up to 350 psig (24.13 bar)

### COOLING TOWER APPLICATIONS (WATER-COOLED MODELS)

A water cooling tower installation does not require modification of the ice machine. The water regulator valve for the condenser continues to control the refrigeration discharge pressure.

It is necessary to know the amount of heat rejection, and the pressure drop through the condenser and water valves (inlet and outlet) when using a cooling tower on an ice machine.

- Water entering the condenser must not exceed 90°F (32.2°C).
- Water flow through the condenser must not exceed 5 gallons (19 liters) per minute.
- Allow for a pressure drop of 7 psi (0.5 bar) between the condenser water inlet and the outlet of the ice machine.
- Water exiting the condenser must not exceed 110°F (43.3°C).

#### **Important**

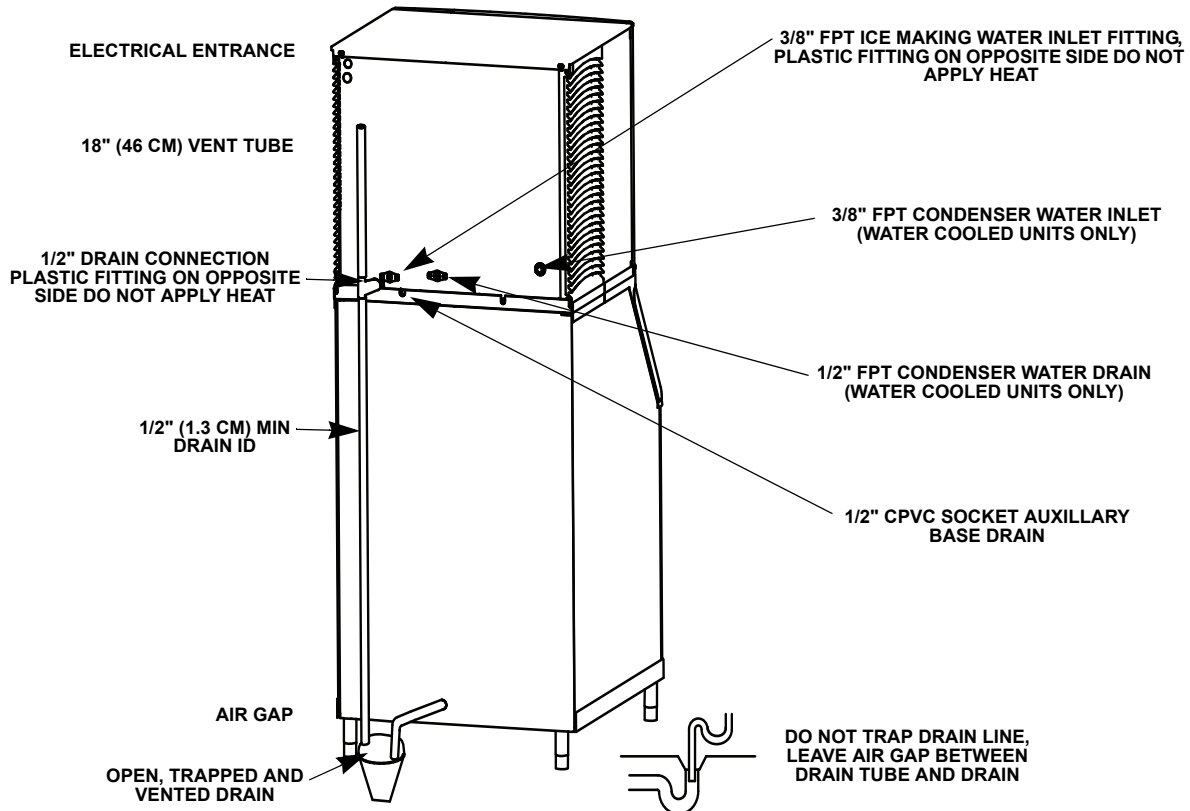
The Commonwealth of Massachusetts requires that all water-cooled models must be connected only to a closed loop, cooling tower system.

Water Supply and Drain Line Sizing/Connections

**⚠ Caution**  
Plumbing must conform to state and local codes.

Location	Water Temperature	Water Pressure	Ice Machine Fitting	Tubing Size Up to Ice Machine Fitting
<b>Ice Making Water Inlet</b>	35°F (1.6°C) Min. 90°F (32.2°C) Max.	20 psi (1.4 bar) Min. 80 psi (5.52 bar) Max.	3/8" (.95 cm) Female Pipe Thread 1/2" (1.27 cm) FPT S3300 Only	3/8" (.95 cm) min inside diameter 1/2" (1.27 cm) S3300 Only
<b>Ice Making Water Drain</b>	---	---	1/2" (1.27 cm) Female Pipe Thread 1" (2.54 cm) FPT S3300 Only 1" (2.54 cm) FPT Base Drain S3300 Only	1/2" (1.27 cm) min inside diameter 1" (2.54 cm) S3300 Only
<b>Condenser Water Inlet</b>	90°F (32.2°C) Max.	<b>Standard</b> 20 psi (1.4 bar) Min. 150 psi (10.34 bar) Max. <b>High Pressure Option</b> 20 psi (1.4 bar) Min. 350 psi (24.1 bar) Max.	3/8" Female Pipe Thread 1" Female Pipe Thread S3300 Only	
<b>Condenser Water Drain</b>	---	---	1/2" (1.27 cm) Female Pipe Thread 1" (2.54 cm) FPT S3300 Only	1/2" (1.27 cm) min inside diameter 1" (2.54 cm) S3300 Only
<b>Bin Drain</b>	---	---	3/4" (1.91 cm) Female Pipe Thread	3/4" (1.91 cm) minimum inside diameter
<b>Large Capacity Bin Drain</b>	---	---	1" (2.54 cm) Male Pipe Thread	1" (2.54 cm) min. inside diameter

The exact locations of inlets and drains for the model you are working on may vary.



**Remote Condenser/Line Set Installation**

Ice Machine	Remote Single Circuit Condenser	Line Set*
S500	JC0495	RT-20-R404A RT-35-R404A RT-50-R404A
S600/S800/S1000	JC0895	RT-20-R404A RT-35-R404A RT-50-R404A
S1400/S1600/ S1800	JC1395	RL-20-R404A RL-35-R404A RL-50-R404A

*Line Set	Discharge Line	Liquid Line
RT	1/2" (1.27 cm)	5/16" (.79 cm)
RL	1/2" (1.27 cm)	3/8" (.95 cm)

Air Temperature Around the Condenser	
Minimum	Maximum
-20°F (-29°C)	120°F (49°C)

**Important**

Manitowoc remote systems are only approved and warranted as a complete new package. Warranty on the refrigeration system will be void if a new ice machine head section is connected to pre-existing (used) tubing or remote condensers.

**REMOTE ICE MACHINES REFRIGERANT CHARGE**

Each remote ice machine ships from the factory with a refrigerant charge appropriate for installation with line sets of up to 50' (15.25 m). The serial tag on the ice machine indicates the refrigerant charge.

Additional refrigerant may be required for installations using line sets between 50' and 100' (15.25-30.5 m) long. If additional refrigerant is required, refer to the chart below for the correct amount to be added.

**Important**

**EPA CERTIFIED TECHNICIANS**

If remote line set length is between 50' and 100' (15.25 and 30.5 m), add additional refrigerant to the nameplate charge. Refer to the table below for the model being worked on.

Tubing length: \_\_\_\_\_

Refrigerant added to nameplate: \_\_\_\_\_

New total refrigerant charge: \_\_\_\_\_

**Warning**

**Potential Personal Injury Situation**

The ice machine contains refrigerant charge. Installation of the line sets must be performed by a properly trained and EPA certified refrigeration technician aware of the **dangers of dealing with refrigerant** charged equipment.

**Caution**

Never add more than nameplate charge to the refrigeration system for any application.

Ice Machine	Nameplate Charge (Charge Shipped in Ice Machine)	Refrigerant to be Added for 50'-100' Line Sets	Maximum System Charge (Never Exceed)
S500	6 lb. (96 oz.)	1.5 lb. (24 oz.)	7.5 lb. (120 oz.)
S600	6.5 lb. (104 oz.)	1.5 lb. (24 oz.)	8 lb. (128 oz.)
S850	8.5 lb. (136 oz.)	2 lb. (32 oz.)	10.5 lb. (168 oz.)
S1000	8.5 lb. (136 oz.)	2 lb. (32 oz.)	10.5 lb. (168 oz.)
S1400	11 lb. (176 oz.)	2 lb. (32 oz.)	13 lb. (208 oz.)
S1600	11.5 lb. (184 oz.)	2 lb. (32 oz.)	13.5 lb. (216 oz.)
S1800	12.5 lb. (200 oz.)	1 lb. (16 oz.)	13.5 lb. (216 oz.)

**GENERAL**

Condensers must be mounted horizontally with the fan motor on top with nothing obstructing it. There must be at least a 16" (41 cm) clearance from the bottom for air intake. The front coupling panel and one other panel (back or side) must also be unobstructed.

Remote condenser installations consist of vertical and horizontal line sets between the ice machine and the condenser. When combined, they must fit within approved specifications. The following guidelines, drawings and calculation methods must be followed to verify a proper remote condenser installation.

**⚠ Caution**

The 60 month compressor warranty (including the 36 month labor replacement warranty) will not apply if the remote ice machine is not installed according to specifications.

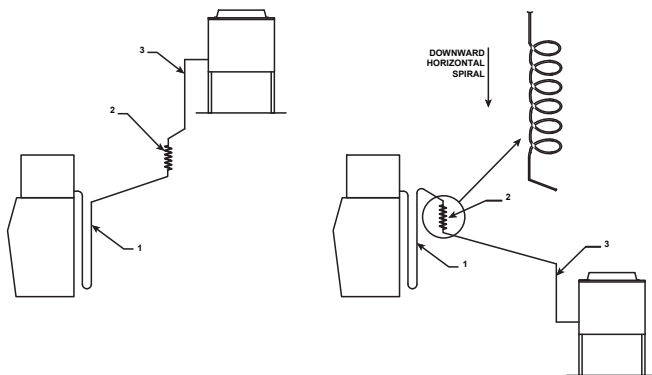
This warranty also will not apply if the refrigeration system is modified with a condenser, heat reclaim device, or other parts or assemblies not manufactured by Manitowoc Ice unless specifically approved in writing by Manitowoc Ice.

**GUIDELINES FOR ROUTING LINE SETS**

First, cut a 2.5" (6.35 cm) circular hole in the wall or roof for tubing routing. The line set end with the 90° bend will connect to the ice machine. The straight end will connect to the remote condenser.

Follow these guidelines when routing the refrigerant lines. This will help ensure proper performance and service accessibility.

1. Optional - Make the service loop in the line sets (as shown below). This permits easy access to the ice machine for cleaning and service. Do not use hard rigid copper at this location.
2. Required - Do not form traps in the refrigeration lines (except the service loop). Refrigerant oil must be free to drain toward the ice machine or the condenser. Route excess tubing in a supported downward horizontal spiral (as shown below). Do not coil tubing vertically.
3. Required - Keep outdoor refrigerant line runs as short as possible.



**Routing Line Sets**

**CALCULATING REMOTE CONDENSER INSTALLATION DISTANCES**

**Line Set Length**

The maximum length is 100' (30.5 m).

The ice machine compressor must have the proper oil return. The receiver is designed to hold a charge sufficient to operate the ice machine in ambient temperatures between -20°F (-29°C) and 120°F (49°C), with line set lengths of up to 100' (30.5 m).

**Line Set Rise/Drop**

The maximum rise is 35' (10.7 m).

The maximum drop is 15' (4.5 m).

**⚠ Caution**

If a line set has a rise followed by a drop, another rise cannot be made. Likewise, if a line set has a drop followed by a rise, another drop cannot be made.

Make the following calculations to make sure the line set layout is within specifications.

1. Insert the **measured rise** into the formula below. Multiply by 1.7 to get the **calculated rise**.  
(Example: A condenser located 10 feet above the ice machine has a **calculated rise** of 17 feet.)
2. Insert the **measured drop** into the formula below. Multiply by 6.6 to get the **calculated drop**.  
(Example. A condenser located 10 feet below the ice machine has a **calculated drop** of 66 feet.)
3. Insert the **measured horizontal distance** into the formula below. No calculation is necessary.
4. Add together the **calculated rise**, **calculated drop**, and **horizontal distance** to get the **total calculated distance**. If this total exceeds 150' (45.7 m), move the condenser to a new location and perform the calculations again.

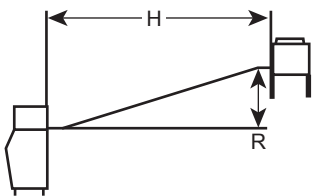
**Calculated Line Set Distance**

The maximum calculated distance is 150' (45.7 m).

Line set rises, drops, horizontal runs (or combinations of these) in excess of the stated maximums will exceed compressor start-up and design limits. This will cause poor oil return to the compressor.

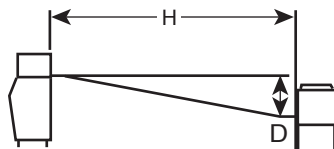
**Maximum Line Set Distance Formula**

Step 1.	Measured Rise (35' [10.7 m] Maximum)	_____ x 1.7	=	_____	Calculated Rise
Step 2.	Measured Drop (15' [4.5 m] Maximum)	_____ x 6.6	=	_____	Calculated Drop
Step 3.	Measured Horizontal Distance (100' [30.5 m] Maximum)			_____	Horizontal Distance
Step 4.	Total Calculated Distance 150' (45.7 m)			_____	Total Calculated Distance



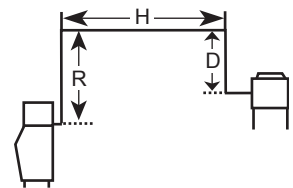
SV1196

**Combination of a Rise and a Horizontal Run**



SV1195

**Combination of a Drop and a Horizontal Run**



SV1194

**Combination of a Rise, a Drop and a Horizontal Run**

**LENGTHENING OR REDUCING LINE SET LENGTHS**

In most cases, by routing the line set properly, shortening will not be necessary. When shortening or lengthening is required, do so before connecting the line set to the ice machine or the remote condenser. This prevents the loss of refrigerant in the ice machine or condenser.

The quick connect fittings on the line sets are equipped with Schraeder valves. Use these valves to recover any vapor charge from the line set. When lengthening or shortening lines follow good refrigeration practices, purge with nitrogen and insulate all tubing. Do not change the tube sizes. Evacuate the lines and place about 5 oz (143g) of vapor refrigerant charge in each line.

**CONNECTING A LINE SET**

1. Remove the dust caps from the line set, condenser and ice machine.
2. Apply refrigeration oil to the threads on the quick disconnect couplers before connecting them to the condenser.
3. Carefully thread the female fitting to the condenser or ice machine by hand.
4. Tighten the couplings with a wrench until they bottom out.
5. Turn an additional 1/4 turn to ensure proper brass-to-brass seating. Torque to the following specifications:

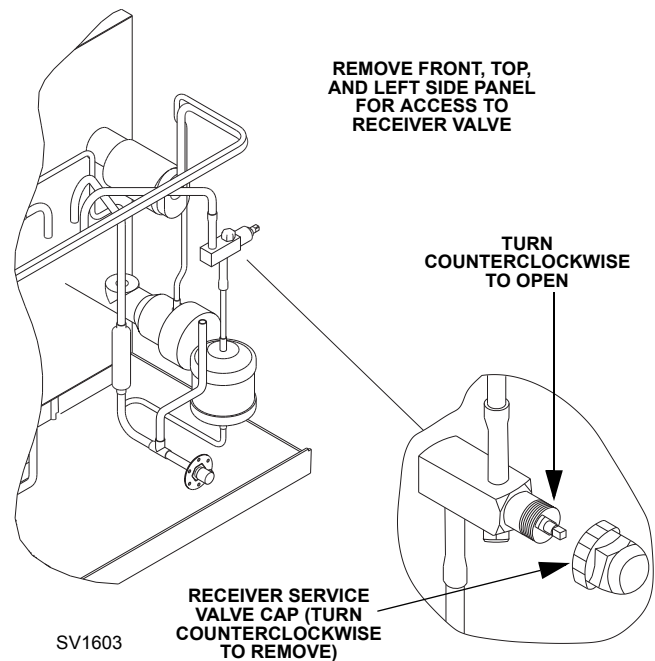
Liquid Line	Discharge Line
10-12 ft lb. (13.5-16.2 N•m)	35-45 ft lb. (47.5-61.0 N•m)

6. Check all fittings and valve caps for leaks.
7. Make sure Schraeder cores are seated and Schraeder caps are on and tight.

**REMOTE RECEIVER SERVICE VALVE**

The receiver service valve is closed during shipment. Open the valve prior to starting the ice machine.

1. Remove the top and left side panels.
2. Remove the receiver service valve cap.
3. Backseat (open) the valve.
4. Reinstall the cap and panels.



**Backseating the Receiver Service Valve**

## Remote Ice Machine Usage with Non-Manitowoc Multi-Circuit Condensers

### WARRANTY

The sixty (60) month compressor warranty, including thirty six (36) month labor replacement warranty, **shall not apply** when the remote ice machine is not installed within the remote specifications. The foregoing warranty shall not apply to any ice machine installed and/or maintained inconsistent with the technical instructions provided by Manitowoc Ice, Inc. Performance may vary from Sales specifications. S-Model ARI certified standard ratings only apply when used with a Manitowoc remote condenser.

If the design of the condenser meets the specifications, Manitowoc's only approval is for full warranty coverage to be extended to the Manitowoc manufactured part of the system. Since Manitowoc does not test the condenser in conjunction with the ice machine, Manitowoc will not endorse, recommend, or approve the condenser, and will not be responsible for its performance or reliability.

#### Important

Manitowoc warrants only complete new and unused remote packages. Guaranteeing the integrity of a new ice machine under the terms of our warranty prohibits the use of pre-existing (used) tubing or condensers.

### HEAD PRESSURE CONTROL VALVE

Any remote condenser connected to a Manitowoc S-Model Ice Machine must have a head pressure control valve (available from Manitowoc Distributors) installed on the condenser package. Manitowoc **will not accept** substitute "off the shelf" head pressure control valves.

#### Caution

Do not use a fan cycling control to try to maintain discharge pressure. Compressor failure will result.

### FAN MOTOR

The condenser fan must be **on** during the complete ice machine freeze cycle (do not cycle on fan cycle control). The ice maker has a condenser fan motor circuit for use with a Manitowoc condenser. It is recommended that this circuit be used to control the condenser fan(s) on the multi-circuit condenser to assure it is on at the proper time. **Do not exceed the rated amps for the fan motor circuit listed on the ice machine's serial tag.**

### INTERNAL CONDENSER VOLUME

The multi-circuit condenser internal volume must not be less than or exceed that used by Manitowoc (see chart on next page). **Do not exceed internal volume and try to add charge to compensate, as compressor failure will result.**

### CONDENSER $\Delta T$

$\Delta T$  is the difference in temperature between the condensing refrigerant and entering air. The  $\Delta T$  should be 15 to 20°F (-9.4 to -6.6°C) at the beginning of the freeze cycle (peak load conditions) and drop down to 12 to 17°F (-11.1 to -8.3°C) during the last 75% of the freeze cycle (average load conditions).

### REFRIGERANT CHARGE

Remote ice machines have the serial plate refrigerant charge (total system charge) located in the ice maker section. (Remote condensers and line sets are supplied with only a vapor charge.)

#### Caution

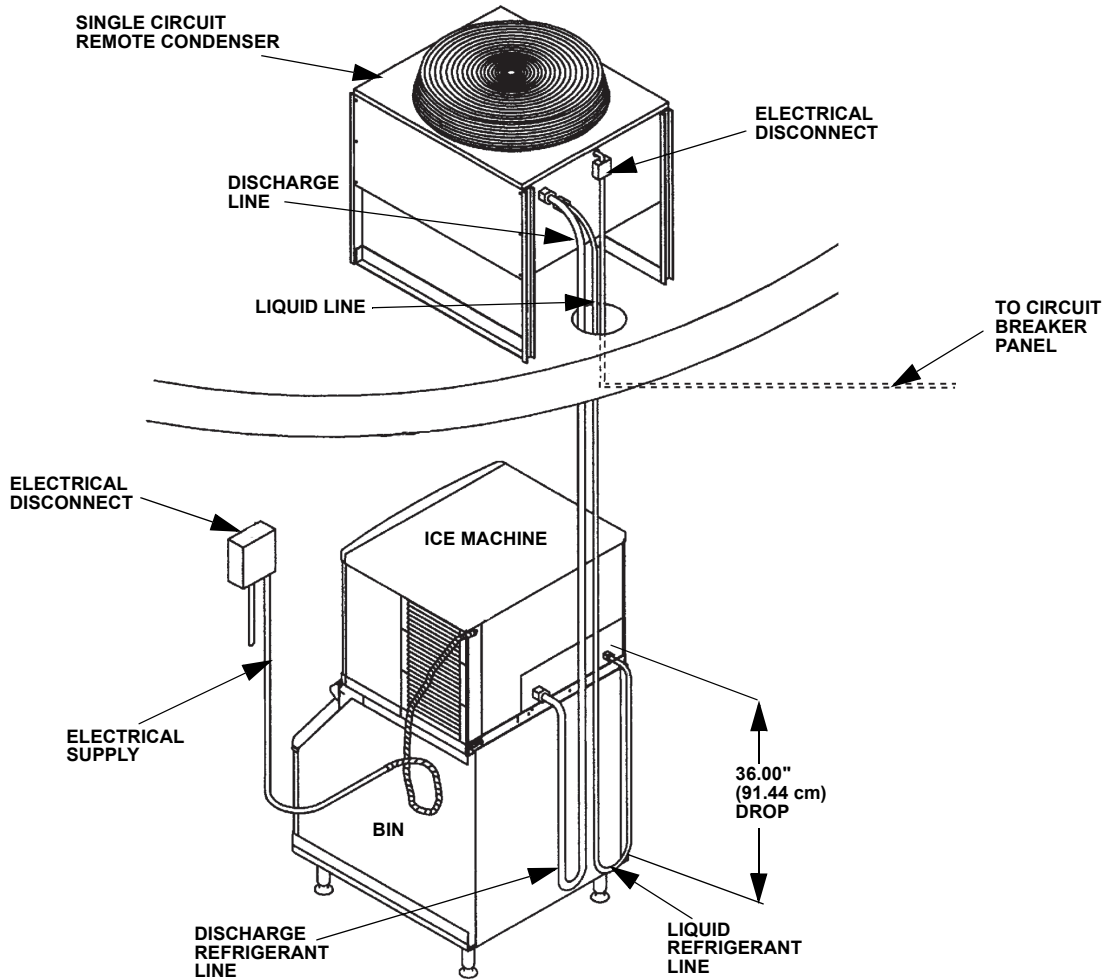
Never add more than nameplate charge to ice machine for any application.

### QUICK CONNECT FITTINGS

The ice machine and line sets come with quick connect fittings. It is recommended that matching quick connects (available through Manitowoc Distributors) be installed in the multi-circuit condenser, and that a vapor "holding" charge, 5 oz. (150 ml), of proper refrigerant be added to the condenser prior to connection of the ice machine or line set to the condenser.

NON-MANITOWOC MULTI-CIRCUIT CONDENSER SIZING CHART

Ice Machine Model	Refrigerant		Heat of Rejection		Internal Condenser Volume (cu ft)		Design Pressure	Quick Connect Stubs-Male Ends		Head Pressure Control Valve
	Type	Charge	Average Btu/hr	Peak Btu/hr	Min	Max		Discharge	Liquid	
S500	R-404A	6 lbs.	6,100	6,900	0.020	0.035	500 psig (3447 kpa) (34.47 bar) safe working pressure  2,500 psig (17237 kpa) (172.37 bar) burst pressure	coupling P/N 83-6035-3	coupling P/N 83-6034-3	Manitowoc P/N 83-6809-3  <b>no substitutes</b>
S600	R404A	6.5 lbs.	9,000	13,900	0.045	0.060				
S850	R-404A	8.5 lbs.	13,000	16,000	0.045	0.060				
S1000	R-404A	8.5 lbs.	17,700	21,000	0.045	0.060		mounting flange P/N 83-6006-3	mounting flange P/N 83-6005-3	
S1400	R-404A	11 lbs.	20,700	24,500	0.085	0.105				
S1600	R-404A	11.5 lbs	21,000	31,000	0.085	0.105				
S1800	R-404A	12.5 lbs.	30,000	35,000	0.085	0.105				



Typical Single Circuit Remote Condenser Installation



### Installation Check List

- Is the Ice Machine level?
- Have all of the electrical and water connections been made?
- Has the supply voltage been tested and checked against the rating on the nameplate?
- Is there proper clearance around the ice machine for air circulation?
- Is the ice machine grounded and polarity correct?
- Has the ice machine been installed where ambient temperatures will remain in the range of 35° - 110°F (1.6° - 43.3°C)?
- Has the ice machine been installed where the incoming water temperature will remain in the range of 35° - 90°F (1.6° - 32.2°C)?
- Is there a separate drain for the potable water, bin and water-cooled condenser?
- Are the ice machine and bin drains vented?
- Are all electrical leads free from contact with refrigeration lines and moving equipment?
- Has the owner/operator been instructed regarding maintenance and the use of Manitowoc Cleaner and Sanitizer?
- Has the owner/operator completed the warranty registration card?
- Has the ice machine and bin been sanitized?
- Is the toggle switch set to ice? (The toggle switch is located directly behind the front panel).
- Is the ice thickness control set correctly? (Refer to Operational Checks to check/set the correct ice bridge thickness).

- S3300 Only** - Is the compressor direction of rotation correct? The ice machine will have high suction pressure, low discharge pressure and will be noticeably loud. Reverse any two incoming power leads to reverse rotation.

### Additional Checks for Remote Models

- Has the receiver service valve been opened?
- Does the remote condenser fan operate properly after start-up?
- Has the remote condenser been located where ambient temperatures will remain in the range of -20° - 120°F (-29 - 49°C).
- Is the line set routed properly?
- Are both refrigeration lines to remote condenser run so they do not lay in water and are properly insulated?

### Before Starting the Ice Machine

All Manitowoc ice machines are factory-operated and adjusted before shipment. Normally, new installations do not require any adjustment.

To ensure proper operation, follow the Operational Checks in Section 3 of this manual. Starting the ice machine and completing the Operational Checks are the responsibilities of the owner/operator.

Adjustments and maintenance procedures outlined in this manual are not covered by the warranty.

#### **Warning**

##### **Potential Personal Injury Situation**

Do not operate equipment that has been misused, abused, neglected, damaged, or altered/modified from that of original manufactured specifications.

# Section 3

## Operation

---

### Ice Making Sequence Of Operation

NOTE: The toggle switch must be in the ice position and the water curtain/ice dampers must be in place on the evaporator before the ice machine will start.

#### Water Purge Cycle

The ice machine purges any remaining water from the water trough down the drain.

#### Freeze Cycle

Water flows across the evaporator and the refrigeration system chills the evaporator. Ice builds on the evaporator until water contacts the ice thickness probe.

#### Harvest Cycle

Any remaining water is purged down the drain as refrigerant gas warms the evaporator. When the evaporator warms, the sheet of cubes slides off the evaporator and into the storage bin. If all cubes fall clear of the water curtain (or ice damper) the ice machine starts another freeze cycle.

#### Off Cycle

If the water curtain or ice damper are held open by ice cubes the ice machine shuts off. When the water curtain or ice damper closes the ice machine starts a new cycle at the water purge.

#### Control Board Timers

The control board has the following non-adjustable timers:

- The ice machine is locked into the freeze cycle for 6 minutes before a harvest cycle can be initiated. Freeze lock is bypassed after moving the toggle switch from OFF to ICE position for the first cycle only.
- The maximum freeze time is 60 minutes at which time the control board automatically initiates a harvest sequence.
- The maximum harvest time is 3.5 minutes for single evaporators and 7 minutes for multiple evaporator model. The control board automatically initiates a freeze sequence when these times are exceeded.

#### SAFETY LIMITS

Safety limits are stored and indicated by the control board after three cycles. The number of cycles required to stop the ice machine varies for each safety limit.

- Safety Limit 1 *all models* - If the freeze time reaches 60 minutes, the control board automatically initiates a harvest cycle. If 6 consecutive 60-minute freeze cycles occur, the ice machine stops.
- Safety Limit 2 *single evaporator models* - If the harvest time reaches 3.5 minutes, the control board automatically returns the ice machine to the freeze cycle. If 500 consecutive 3.5 minute harvest cycles occur, the ice machine stops.
- Safety Limit 2 *multiple evaporator models* - If the harvest time reaches 7 minutes, the control board automatically returns the ice machine to the freeze cycle. If 500 consecutive 7 minute harvest cycles occur, the ice machine stops.
- Safety Limit 3 *multiple evaporator models* - If the low refrigerant pressure control opens, the ice machine shuts off and starts a 5 minute delay period. If 3 consecutive low pressure events occur, the ice machine stops and flashes the harvest light.

Use the following procedures to determine if the control board contains a safety limit indication.

1. Move the toggle switch to OFF.
2. Move the toggle switch back to ICE. Watch the safety limit lights/harvest light on the control board. If a safety limit has been recorded, the corresponding light will blink once, twice or three times to indicate which safety limit stopped the ice machine.

## Operational Checks

### GENERAL

Manitowoc ice machines are factory-operated and adjusted before shipment. Normally, new installations do not require any adjustment.

To ensure proper operation, always follow the Operational Checks:

- when starting the ice machine for the first time
- after a prolonged out of service period
- after cleaning and sanitizing

NOTE: Routine adjustments and maintenance procedures are not covered by the warranty.

### Important

**Scroll refrigeration compressors must be operated for a minimum break in period of 24 hours before full ice production will be reached.**

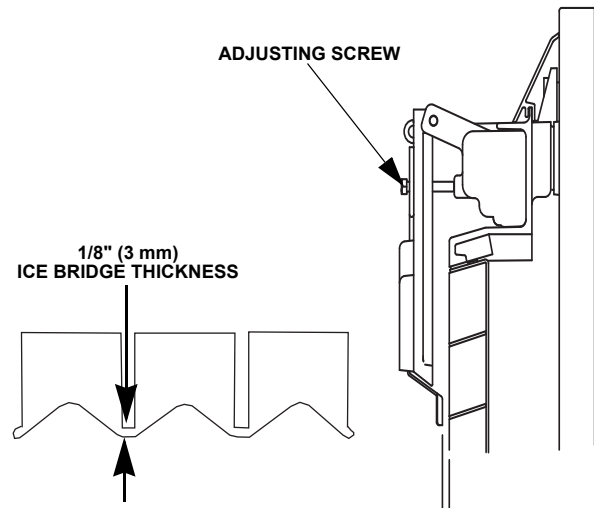
### ICE THICKNESS CHECK

After a harvest cycle, inspect the ice cubes in the ice storage bin. The ice thickness probe is factory-set to maintain the ice bridge thickness at 1/8" (3 mm).

NOTE: Make sure the water curtain is in place when performing this check. It prevents water from splashing out of the water trough.

1. Inspect the bridge connecting the cubes. It should be about 1/8" (3 mm) thick.
2. If adjustment is necessary, turn the ice thickness probe adjustment screw clockwise to increase bridge thickness, counterclockwise to decrease bridge thickness. Set at 1/4" (6 mm) gap between ice machine and evaporator as starting point, then adjust to achieve a 1/8" (3 mm) bridge thickness.

NOTE: Turning the adjustment 1/3 of a turn will change the ice thickness about 1/16" (1.5 mm).



### Ice Thickness Check

3. Make sure the ice thickness probe wire and the bracket do not restrict movement of the probe.

# Section 4

## Maintenance

---

### Cleaning and Sanitizing

#### GENERAL


You are responsible for maintaining the ice machine in accordance with the instructions in this manual. Maintenance procedures are not covered by the warranty.

Clean and sanitize the ice machine every six months for efficient operation. If the ice machine requires more frequent cleaning and sanitizing, consult a qualified service company to test the water quality and recommend appropriate water treatment. An extremely dirty ice machine must be taken apart for cleaning and sanitizing.

Manitowoc Ice Machine Cleaner and Sanitizer are the only products approved for use in Manitowoc ice machines.

 **Caution**

Use only Manitowoc approved Ice Machine Cleaner and Sanitizer for this application (Manitowoc Cleaner part number 94-0546-3 and Manitowoc Sanitizer part number 94-0565-3). It is a violation of Federal law to use these solutions in a manner inconsistent with their labeling. Read and understand all labels printed on bottles before use.

 **Caution**

Do not mix Cleaner and Sanitizer solutions together. It is a violation of Federal law to use these solutions in a manner inconsistent with their labeling.

 **Warning**

Wear rubber gloves and safety goggles (and/or face shield) when handling Ice Machine Cleaner or Sanitizer.

#### CLEANING/SANITIZING PROCEDURE

This procedure must be performed a minimum of once every six months.

- The ice machine and bin must be disassembled cleaned and sanitized.
- All ice produced during the cleaning and sanitizing procedures must be discarded.
- Removes mineral deposits from areas or surfaces that are in direct contact with water.

#### HEAVILY SCALED CLEANING PROCEDURE

Perform this procedure if you have some or all of these symptoms.

- Ice machine stops on Safety Shutdown.
- Your water has a high concentration of minerals.
- The ice machine has not been on a regular maintenance schedule.

#### EXTERIOR CLEANING

Clean the area around the ice machine as often as necessary to maintain cleanliness and efficient operation. Use cleaners designed for use with stainless steel products.

Sponge any dust and dirt off the outside of the ice machine with mild soap and water. Wipe dry with a clean, soft cloth.

Heavy stains should be removed with stainless steel wool. Never use plain steel wool or abrasive pads. They will scratch the panels.

**Cleaning / Sanitizing Procedure**

**⚠ Caution**

Use only Manitowoc approved Ice Machine Cleaner and Sanitizer for this application (Manitowoc Cleaner part number 94-0546-3 and Manitowoc Sanitizer part number 94-0565-3). It is a violation of Federal law to use these solutions in a manner inconsistent with their labeling. Read and understand all labels printed on bottles before use.

**CLEANING PROCEDURE**

**⚠ Caution**

Do not mix Cleaner and Sanitizer solutions together. It is a violation of Federal law to use these solutions in a manner inconsistent with their labeling.

**⚠ Warning**

Wear rubber gloves and safety goggles (and/or face shield) when handling Ice Machine Cleaner or Sanitizer.

Ice machine cleaner is used to remove lime scale and mineral deposits. Ice machine sanitizer disinfects and removes algae and slime.

**Step 1** Remove front door and top cover. This will allow easiest access for adding cleaning and sanitizing solutions.

**Step 2** Set the toggle switch to the OFF position after ice falls from the evaporator at the end of a Harvest cycle. Or, set the switch to the OFF position and allow the ice to melt off the evaporator.

**⚠ Caution**

Never use anything to force ice from the evaporator. Damage may result.

**Step 3** Remove all ice from the bin/dispenser.

**Step 4** Place the toggle switch in the CLEAN position. The water will flow through the water dump valve and down the drain. Wait until the water trough refills and water flows over the evaporator, then add the proper amount of ice machine cleaner.

Model	Amount of Cleaner
S300/S320/S420	3 ounces (90 ml)
S450/S500/S600/S850/ S1000/S1200	5 ounces (150 ml)
S1400/S1600/S1800	9 ounces (265 ml)
S3300	16 ounces (475 ml)

**Step 5** Wait until the clean cycle is complete (approximately \*35 minutes). Then place the toggle switch in the OFF position and disconnect power to the ice machine (and dispenser when used).

NOTE: \*S3300 Only - 80 minutes.

**⚠ Warning**

Disconnect the electric power to the ice machine at the electric service switch box.

**Step 6** Remove parts for cleaning.

**Please refer to the proper parts removal for your ice machine. Continue with step 7 when the parts have been removed.**

**Single Evaporator Ice Machines - Page 26**

**Multiple Evaporator Ice Machines - Page 27**

**Step 7** Mix a solution of cleaner and warm water. Depending upon the amount of mineral buildup, a larger quantity of solution may be required. Use the ratio in the table below to mix enough solution to thoroughly clean all parts.

Solution Type	Water	Mixed With
Cleaner	1 gal. (4 L)	16 oz (500 ml) cleaner

**Step 8** Use 1/2 of the cleaner/water mixture to clean all components. The cleaner solution will foam when it contacts lime scale and mineral deposits; once the foaming stops use a soft-bristle nylon brush, sponge or cloth (NOT a wire brush) to carefully clean the parts. Soak parts for 5 minutes (15 - 20 minutes for heavily scaled parts). Rinse all components with clean water.

**Step 9** While components are soaking, use 1/2 of the cleaner/water solution to clean all foodzone surfaces of the ice machine and bin (or dispenser). Use a nylon brush or cloth to thoroughly clean the following ice machine areas:

- Side walls
- Base (area above water trough)
- Evaporator plastic parts - including top, bottom, and sides
- Bin or dispenser

Rinse all areas thoroughly with clean water.

**SANITIZING PROCEDURE**

**Step 10** Mix a solution of sanitizer and warm water.

Solution Type	Water	Mixed With
Sanitizer	6 gal. (23 L)	4 oz (120 ml) sanitizer

**Step 11** Use 1/2 of the sanitizer/water solution to sanitize all removed components. Use a spray bottle to liberally apply the solution to all surfaces of the removed parts or soak the removed parts in the sanitizer/water solution. Do not rinse parts after sanitizing.

**Step 12** Use 1/2 of the sanitizer/water solution to sanitize all foodzone surfaces of the ice machine and bin (or dispenser). Use a spray bottle to liberally apply the solution. When sanitizing, pay particular attention to the following areas:

- Side walls
- Base (area above water trough)
- Evaporator plastic parts - including top, bottom and sides
- Bin or dispenser

Do not rinse the sanitized areas.

**Step 13** Replace all removed components.

**Step 14** Wait 30 minutes.

**Step 15** Reapply power to the ice machine and place the toggle switch in the CLEAN position.

**Step 16** Wait until the water trough refills and water flows over the evaporator (approximately 3 minutes). Add the proper amount of Manitowoc Ice Machine Sanitizer to the water trough by pouring between the water curtain and evaporator.

Model	Amount of Sanitizer
S300/S320/S420	3 ounces (90 ml)
S450/S500/S600/S850/ S1000/S1200	3 ounces (90 ml)
S1400/S1600/S1800	6 ounces (180 ml)
S3300	25 ounces (740 ml)

**Step 17** Move the toggle switch to the ICE position and replace the front panel. The ice machine will automatically start ice making after the sanitize cycle is complete (approximately 35 minutes, S3300 - 80 minutes).

### Procedure to Clean Heavily Scaled Ice Machines

Ice machines that are heavily scaled or have not been cleaned on a regular basis will need to run this procedure.

Clean and sanitize the ice machine every six months for efficient operation. If the ice machine requires more frequent cleaning and sanitizing, consult a qualified service company to test the water quality and recommend appropriate water treatment. The ice machine must be taken apart for cleaning and sanitizing.

**⚠ Caution**

Use only Manitowoc approved Ice Machine Cleaner and Sanitizer for this application (Manitowoc Cleaner part number 94-0546-3 and Manitowoc Sanitizer part number 94-0565-3). It is a violation of Federal law to use these solutions in a manner inconsistent with their labeling. Read and understand all labels printed on bottles before use.

#### CLEANING PROCEDURE

**⚠ Caution**

Do not mix Cleaner and Sanitizer solutions together. It is a violation of Federal law to use these solutions in a manner inconsistent with their labeling.

**⚠ Warning**

Wear rubber gloves and safety goggles (and/or face shield) when handling Ice Machine Cleaner or Sanitizer.

Ice machine cleaner is used to remove lime scale and mineral deposits. Ice machine sanitizer disinfects and removes algae and slime.

**Step 1** Set the toggle switch to the OFF position after ice falls from the evaporator at the end of a Harvest cycle. Or, set the switch to the OFF position and allow the ice to melt off the evaporator.

**⚠ Caution**

Never use anything to force ice from the evaporator. Damage may result.

**Step 2** Remove top cover. This will allow easiest access for adding cleaning and sanitizing solutions.

**Step 3** Remove all ice from the bin.

**Step 4** Place the toggle switch in the CLEAN position. The water will flow through the water dump valve and down the drain. Wait until the water trough refills and water flows over the evaporator, then add the proper amount of ice machine cleaner.

Model	Amount of Cleaner
S300/S320/S420	3 ounces (90 ml)
S450/S500/S600/S850/ S1000/S1200	5 ounces (150 ml)
S1400/S1600/S1800	9 ounces (265 ml)
S3300	16 ounces (475 ml)

**Step 5** Wait until the clean cycle is complete (approximately \*35 minutes). Then place the toggle switch in the OFF position and disconnect power to the ice machine (and dispenser when used).

NOTE: \*S3300 Only - 80 minutes.

**⚠ Warning**

Disconnect the electric power to the ice machine at the electric service switch box.

**Step 6** Remove parts for cleaning.

**Please refer to the proper parts removal for your ice machine.**

**Single Evaporator Ice Machines - Page 26**

**Multiple Evaporator Ice Machines - Page 27**

**Step 7** Mix a solution of cleaner and warm water. Depending upon the amount of mineral buildup, a larger quantity of solution may be required. Use the ratio in the table below to mix enough solution to thoroughly clean all parts.

Solution Type	Water	Mixed With
Cleaner	1 gal. (4 L)	16 oz (500 ml) cleaner

**Step 8** Use 1/2 of the cleaner/water mixture to clean all components. The cleaner solution will foam when it contacts lime scale and mineral deposits; once the foaming stops use a soft-bristle nylon brush, sponge or cloth (NOT a wire brush) to carefully clean the parts. Soak parts for 5 minutes (15 - 20 minutes for heavily scaled parts). Rinse all components with clean water.

**Step 9** While components are soaking, use 1/2 of the cleaner/water solution to clean all foodzone surfaces of the ice machine and bin (or dispenser). Use a nylon brush or cloth to thoroughly clean the following ice machine areas:

- Side walls
- Base (area above water trough)
- Evaporator plastic parts - including top, bottom, and sides
- Bin or dispenser

Rinse all areas thoroughly with clean water.

**SANITIZING PROCEDURE**

**Step 10** Mix a solution of sanitizer and warm water.

Solution Type	Water	Mixed With
Sanitizer	6 gal. (23 L)	4 oz (120 ml) sanitizer

**Step 11** Use 1/2 of the sanitizer/water solution to sanitize all removed components. Use a cloth or sponge to liberally apply the solution to all surfaces of the removed parts or soak the removed parts in the sanitizer/water solution. Do not rinse parts after sanitizing.

**Step 12** Use 1/2 of the sanitizer/water solution to sanitize all foodzone surfaces of the ice machine and bin (or dispenser). Use a cloth or sponge to liberally apply the solution. When sanitizing, pay particular attention to the following areas:

- Side walls
- Base (area above water trough)
- Evaporator plastic parts - including top, bottom and sides
- Bin or dispenser

Do not rinse the sanitized areas.

**Step 13** Replace all removed components.


**Step 14** Reapply power to the ice machine and place the toggle switch in the CLEAN position.

**Step 15** Wait about two minutes or until water starts to flow over the evaporator. Add the proper amount of Manitowoc Ice Machine Sanitizer to the water trough by pouring between the water curtain and evaporator.

Model	Amount of Sanitizer
S300/S320/S420	3 ounces (90 ml)
S450/S500/S600/S850/ S1000/S1200	3 ounces (90 ml)
S1400/S1600/S1800	6 ounces (180 ml)
S3300	25 ounces (740 ml)

**Step 16** The ice machine will stop after the sanitize cycle (approximately \*35 minutes). Place the toggle switch in the OFF position and disconnect power to the ice machine.

*\*S3300 Only - 80 minutes.*

 <b>Warning</b>
Disconnect the electric power to the ice machine at the electric service switch box.



**Step 17** Refer to step 6 and disassemble components. After disassembling proceed to step 18.

**Step 18** Mix a solution of sanitizer and warm water.

Solution Type	Water	Mixed With
Sanitizer	6 gal. (23 L)	4 oz (120 ml) sanitizer

**Step 19** Use 1/2 of the sanitizer/water solution to sanitize all removed components. Use a cloth or sponge to liberally apply the solution to all surfaces of the removed parts or soak the removed parts in the sanitizer/water solution. Do not rinse parts after sanitizing.

**Step 20** Use 1/2 of the sanitizer/water solution to sanitize all foodzone surfaces of the ice machine and bin (or dispenser). Use a cloth or sponge to liberally apply the solution. When sanitizing, pay particular attention to the following areas:

- Side walls
- Base (area above water trough)
- Evaporator plastic parts - including top, bottom and sides
- Bin or dispenser

Do not rinse the sanitized areas.

**Step 21** Install the removed parts, restore power and place the toggle switch in the ICE position.

## Parts Removal for Cleaning/Sanitizing

### Single Evaporator Ice Machines

#### A. Remove the water curtain

- Gently flex the curtain in the center and remove it from the right side.
- Slide the left pin out.

#### B. Remove the ice thickness probe

- Compress the hinge pin on the top of the ice thickness probe.
- Pivot the ice thickness probe to disengage one pin then the other. The ice thickness probe can be cleaned at this point without complete removal. If complete removal is desired, disconnect the ice thickness control wiring from the control board.

#### C. Remove the evaporator tray or water diverter from the bottom of the evaporator

- Loosen thumbscrew on left side of tray.
- Allow left side of tray to drop as you pull the tray to the left side. Continue until the outlet tube disengages from the right side.

#### D. Remove the water trough

- Depress tabs on right and left side of the water trough.
- Allow front of water trough to drop as you pull forward to disengage the rear pins.

#### E. Remove the water level probe

- Pull the water level probe straight down to disengage.

- Lower the water level probe until the wiring connector is visible.
- Disconnect the wire lead from the water level probe.
- Remove the water level probe from the ice machine.

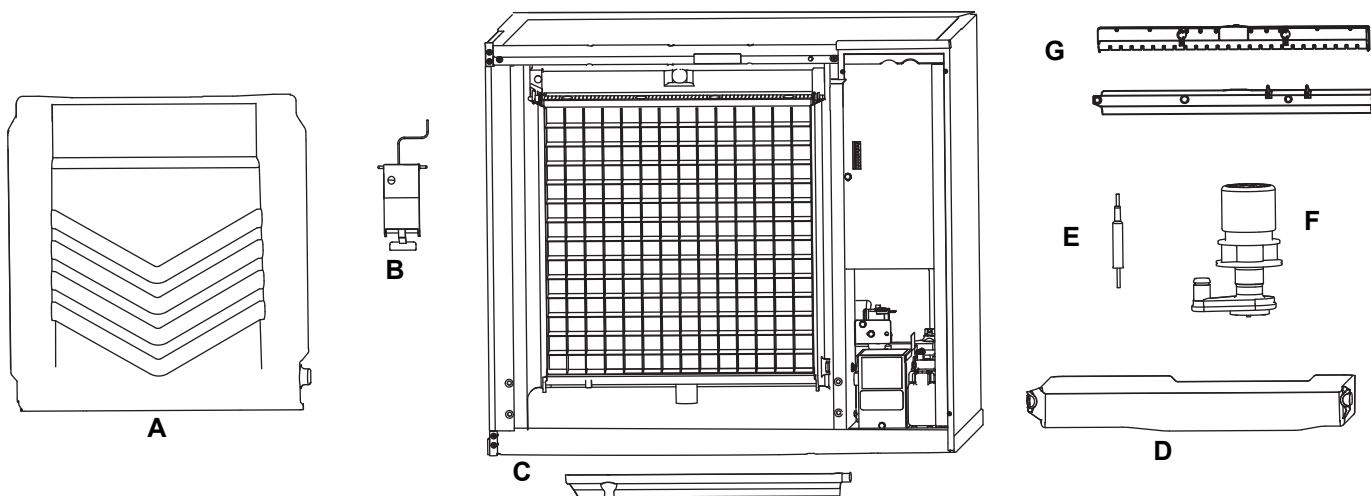
#### F. Remove the water pump

- Grasp pump and pull straight down on pump assembly until water pump disengages and electrical connector is visible.
- Disconnect the electrical connector.
- Remove the water pump assembly from ice machine.
- Do not soak the water pump motor in cleaner or sanitizer solution.

#### G. Remove the water distribution tube

NOTE: Distribution tube thumbscrews are retained to prevent loss. Loosen thumbscrews but do not pull thumbscrews out of distribution tube.

- Loosen the two outer screws (do not remove screws completely they are retained to prevent loss) and pull forward on the distribution tube to release from slip joint.
- Disassemble distribution tube by loosening the two (2) middle thumbscrews and dividing the distribution tube into two pieces.



### Multiple Evaporator Ice Machines

#### A. Remove front evaporator shield

- Remove four quarter turn connectors.
- Remove splash shield.

#### B. Remove left and right evaporator top covers

- Remove two thumbscrews from the front of each evaporator top cover.
- Lift front of cover, pull forward to remove.

#### C. Remove splash shields

NOTE: Each evaporator has a splash shield that must be removed - total of four splash shields.

- Grasp the top center of splash shields.
- Lift up and then out.

#### D. Remove ice thickness probe

- Compress the hinge pin on the top of the ice thickness probe.
- Pivot the ice thickness probe to disengage one pin then the other. The ice thickness probe can be cleaned at this point without complete removal. If complete removal is desired, disconnect the ice thickness control wiring from the control board.

#### E. Remove the water pump assembly

- Disconnect the vinyl distribution tube from both water pumps.
- Disconnect the water pump and water level probe electrical connections.
- After the wires are disconnected remove the two thumbscrews and lift the water pump assembly out of the ice machine.

- Remove the thumbscrews securing the water pumps (2 each pump) and remove water pumps. Do not immerse the water pump motor in cleaner or sanitizer solutions.
- Remove the water level probe from the assembly housing.

#### F. Remove the water trough

- Pull forward on the water trough to remove.

#### G. Remove distribution tubes

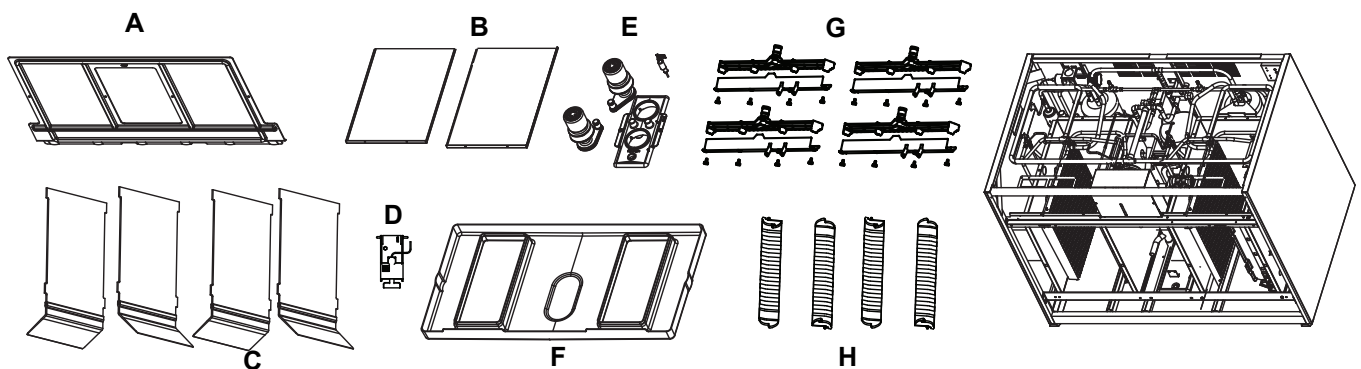
NOTE: Each evaporator has a distribution that must be removed - total of four distribution tubes.

- Distribution tube thumbscrews are retained to prevent loss. Loosen thumbscrews but do not pull thumbscrews out of distribution tube.
- Loosen the two outer screws and pull forward on the distribution tube to release from slip joint.
- Disassemble distribution tube by loosening the two (2) middle thumbscrews and dividing the distribution tube into two pieces.

#### H. Remove ice dampers

NOTE: Each evaporator has an ice damper that must be removed - total of four ice dampers.

- Grasp ice damper and apply pressure toward the back mounting bracket.
- Apply pressure to the front mounting bracket with thumb.
- Pull ice damper downward when the front ice damper pin disengages.



## Exterior Cleaning

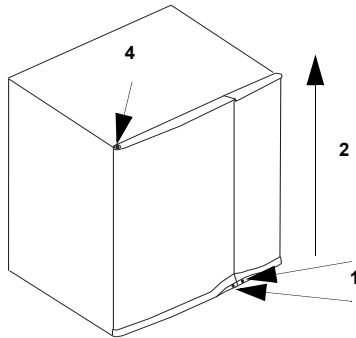
Clean the area around the ice machine as often as necessary to maintain cleanliness and efficient operation. Use cleaners designed for use with stainless steel products.

Sponge any dust and dirt off the outside of the ice machine with mild soap and water. Wipe dry with a clean, soft cloth.

Heavy stains should be removed with stainless steel wool. Never use plain steel wool or abrasive pads. They will scratch the panels.

## Door Removal

1. Use a phillips screwdriver to loosen the two screws securing the left and right doors. Do not remove they are secured to prevent loss.
2. 30 Inch and 48 Inch Models: To remove right front door lift up and remove (22 inch ice machines have a single door, lift to remove entire door).



### Door Removal

3. Open left front door to 45 degrees.
4. Support with right hand, depress top pin, tilt top of door forward and lift out of bottom pin to remove.

## Cleaning the Condenser

### GENERAL

#### Warning

Disconnect electric power to the ice machine head section and the remote condensing unit at the electric service switches before cleaning the condenser.

A dirty condenser restricts airflow, resulting in excessively high operating temperatures. This reduces ice production and shortens component life.

- Clean the condenser at least every six months.

#### Warning

The condenser fins are sharp. Use care when cleaning them.

- Shine a flashlight through the condenser to check for dirt between the fins.
- Blow compressed air or rinse with water from the inside out (opposite direction of airflow).
- If dirt still remains call a service agent to clean the condenser.

## Removal from Service/Winterization

1. Clean and sanitize the ice machine.
2. Move the ICE/OFF/CLEAN switch to OFF.
3. Turn off the water supply, disconnect and drain the incoming ice-making water line at the rear of the ice machine and drain the water trough.
4. Energize the ice machine, wait one minute for the water inlet valve to open and blow compressed air in both the incoming water and the drain openings in the rear of the ice machine to remove all water.
5. Move ICE/OFF/CLEAN switch to OFF and disconnect the electric power at the circuit breaker or the electric service switch.
6. Fill spray bottle with sanitizer and spray all interior food zone surfaces. Do not rinse and allow to air dry.
7. Replace all panels.

## Section 5

# Customer Support

### Checklist

If a problem arises during operation of your ice machine, follow the checklist below before calling service. Routine adjustments and maintenance procedures are not covered by the warranty.

Problem	Possible Cause	To Correct
Ice machine does not operate.	No electrical power to the ice machine and/or condensing unit.	Replace the fuse/reset the breaker/turn on the main switch.
	High pressure cutout tripping.	Clean condenser coil. (See Section 4)
	ICE/OFF/CLEAN toggle switch set improperly.	Move the toggle switch to the ICE position.
	Water curtain stuck open.	Water curtain must be installed and swinging freely. (See Section 4)
	Remote receiver service valve and/or Liquid/suction line shut off valves are closed.	Open the valve(s). (See Section 2)
Ice machine stops, and can be restarted by moving the toggle switch to OFF and back to ICE.	Safety limit feature stopping the ice machine.	Refer to "Safety Limit Feature" on the next page.
Ice machine does not release ice or is slow to harvest.	Ice machine is dirty.	Clean and sanitize the ice machine. (See Section 4)
	Ice machine is not level.	Level the ice machine. (See Section 2)
	Low air temperature around ice machine head section.	Air temperature must be at least 35°F (1.6°C).
	Fan cycling control does not de-energize condenser fan motor.	Verify pressure is below cut-out setpoint, replace fan cycling control.
Ice machine does not cycle into harvest mode.	The six-minute freeze time lock-in has not expired yet.	Wait for the freeze lock-in to expire.
	Ice thickness probe is dirty.	Clean and sanitize the ice machine. (See Section 4)
	Ice thickness probe is disconnected.	Connect the wire.
	Ice thickness probe is out of adjustment.	Adjust the ice thickness probe. (See Section 3)
	Uneven ice fill (thin at the top of evaporator).	Verify sufficient water level in sump trough. Contact a qualified service company to check refrigeration system.
Ice quality is poor (soft or not clear).	Poor incoming water quality.	Contact a qualified service company to test the quality of the incoming water and make appropriate filter recommendations.
	Water filtration is poor.	Replace the filter.
	Ice machine is dirty.	Clean and sanitize the ice machine. (See Section 4)
	Water dump valve is not working.	Disassemble and clean the water dump valve. (See Section 4)
	Water softener is working improperly (if applicable).	Repair the water softener.

Problem	Possible Cause	To Correct
Ice machine produces shallow or incomplete cubes, or the ice fill pattern on the evaporator is incomplete.	Ice thickness probe is out of adjustment.	Adjust the ice thickness probe. (See Section 4)
	Water trough level is too low.	Check the water level probe for damage. (See Section 3)
	Water inlet valve filter screen is dirty.	Remove the water inlet valve and clean the filter screen. (See Section 4)
	Water filtration is poor.	Replace the filter.
	Hot incoming water.	Connect the ice machine to a cold water supply. (See Section 2)
	Water inlet valve is not working.	Replace the water inlet valve.
	Incorrect incoming water pressure.	Water pressure must be 20-80 psi (1.4 bar - 5.5 bar).
	Ice machine is not level.	Level the ice machine. (See Section 2)
Low ice capacity.	Water inlet valve filter screen is dirty.	Remove the water inlet valve and clean the filter screen. (See Section 4)
	Incoming water supply is shut off.	Open the water service valve.
	Water inlet valve stuck open or leaking.	Place toggle switch in OFF position, if water continues to enter water trough replace the water inlet valve.
	The condenser is dirty.	Clean the condenser. (See Section 4)
	High air temperature entering condenser.	Air temperature must not exceed 120°F (39°C).
	The harvest assist air compressor is not functioning.	Call for service.

### Safety Limit Feature

In addition to the standard safety controls, such as the high pressure cutout, your Manitowoc ice machine features built-in safety limits which will stop the ice machine if conditions arise which could cause a major component failure.

Before calling for service, re-start the ice machine using the following procedure:

1. Move the ICE/OFF/CLEAN switch to OFF and then back to ICE.
  - A. If the safety limit feature has stopped the ice machine, it will restart after a short delay. Proceed to step 2.
  - B. If the ice machine does not restart, see "Ice machine does not operate" on the previous page.
2. Allow the ice machine to run to determine if the condition is recurring.
  - A. If the ice machine stops again, the condition has recurred. Call for service.
  - B. If the ice machine continues to run, the condition has corrected itself. Allow the ice machine to continue running.

**Commercial Ice Machine Warranty**

Manitowoc Ice, Inc. (hereinafter referred to as the "COMPANY") warrants for a period of thirty-six months from the installation date (except as limited below) that new ice machines manufactured by the COMPANY shall be free of defects in material or workmanship under normal and proper use and maintenance as specified by the COMPANY and upon proper installation and start-up in accordance with the instruction manual supplied with the ice machine. The COMPANY's warranty hereunder with respect to the compressor shall apply for an additional twenty-four months, excluding all labor charges, and with respect to the evaporator for an additional twenty-four months, including labor charges.

The obligation of the COMPANY under this warranty is limited to the repair or replacement of parts, components, or assemblies that in the opinion of the COMPANY are defective. This warranty is further limited to the cost of parts, components or assemblies and standard straight time labor charges at the servicing location.

Time and hourly rate schedules, as published from time to time by the COMPANY, apply to all service procedures. Additional expenses including without limitation, travel time, overtime premium, material cost, accessing or removal of the ice machine, or shipping are the responsibility of the owner, along with all maintenance, adjustments, cleaning, and ice purchases. Labor covered under this warranty must be performed by a COMPANY Contracted Service Representative or a refrigeration service agency as qualified and authorized by the COMPANY's local Distributor. The COMPANY's liability under this warranty shall in no event be greater than the actual purchase price paid by customer for the ice machine.

The foregoing warranty shall not apply to (1) any part or assembly that has been altered, modified, or changed; (2) any part or assembly that has been subjected to misuse, abuse, neglect, or accidents; (3) any ice machine that has been installed and/or maintained inconsistent with the technical instructions provided by the COMPANY; or (4) any ice machine initially installed more than five years from the serial number production date. This warranty shall not apply if the Ice Machine's refrigeration system is modified with a condenser, heat reclaim device, or parts and assemblies other than those manufactured by the COMPANY, unless the COMPANY approves these modifications for specific locations in writing.

**THIS WARRANTY IS IN LIEU OF ALL OTHER WARRANTIES OR GUARANTEES OF ANY KIND, EXPRESSED OR IMPLIED, INCLUDING ANY IMPLIED WARRANTY OF MERCHANTABILITY OR FITNESS FOR A PARTICULAR PURPOSE.** In no event shall the COMPANY be liable for any special, indirect, incidental or consequential damages. Upon the expiration of the warranty period, the COMPANY's liability under this warranty shall terminate. The foregoing warranty shall constitute the sole liability of the COMPANY and the exclusive remedy of the customer or user.

To secure prompt and continuing warranty service, the warranty registration card must be completed and sent to the COMPANY within five (5) days from the installation date.

Complete the following and retain for your record:

Distributor/Dealer \_\_\_\_\_  
Model Number \_\_\_\_\_ Serial Number \_\_\_\_\_  
Installation Date \_\_\_\_\_

**MANITOWOC ICE, INC.**  
2110 So. 26th St., P.O. Box 1720, Manitowoc, WI 54221-1720  
Telephone: 920-682-0161 • Fax: 920-683-7585  
Web Site - [www.manitowocice.com](http://www.manitowocice.com)  
Form 80-0375-3 Rev. 01-02

## Residential Ice Machine Limited Warranty

### WHAT DOES THIS LIMITED WARRANTY COVER?

Subject to the exclusions and limitations below, Manitowoc Foodservice ("Manitowoc") warrants to the original consumer that any new ice machine manufactured by Manitowoc (the "Product") shall be free of defects in material or workmanship for the warranty period outlined below under normal use and maintenance, and upon proper installation and start-up in accordance with the instruction manual supplied with the Product.

### HOW LONG DOES THIS LIMITED WARRANTY LAST?

<u>Product Covered</u>	<u>Warranty Period</u>
Ice Machine	Twelve (12) months from the sale date

### WHO IS COVERED BY THIS LIMITED WARRANTY?

This limited warranty only applies to the original consumer of the Product and is not transferable.

### WHAT ARE MANITOWOC ICE'S OBLIGATIONS UNDER THIS LIMITED WARRANTY?

If a defect arises and Manitowoc receives a valid warranty claim prior to the expiration of the warranty period, Manitowoc shall, at its option: (1) repair the Product at Manitowoc's cost, including standard straight time labor charges, (2) replace the Product with one that is new or at least as functionally equivalent as the original, or (3) refund the purchase price for the Product. Replacement parts are warranted for 90 days or the balance of the original warranty period, whichever is longer. The foregoing constitutes Manitowoc's sole obligation and the consumer's exclusive remedy for any breach of this limited warranty. Manitowoc's liability under this limited warranty is limited to the purchase price of Product. Additional expenses including, without limitation, service travel time, overtime or premium labor charges, accessing or removing the Product, or shipping are the responsibility of the consumer.

### HOW TO OBTAIN WARRANTY SERVICE

To obtain warranty service or information regarding your Product, please contact us at:

MANITOWOC FOODSERVICE

2110 So. 26th St.

P.O. Box 1720,

Manitowoc, WI 54221-1720

Telephone: 920-682-0161 Fax: 920-683-7585

[www.manitowocice.com](http://www.manitowocice.com)

### WHAT IS NOT COVERED?

This limited warranty does not cover, and you are solely responsible for the costs of: (1) periodic or routine maintenance, (2) repair or replacement of the Product or parts due to normal wear and tear, (3) defects or damage to the Product or parts resulting from misuse, abuse, neglect, or accidents, (4) defects or damage to the Product or parts resulting from improper or unauthorized alterations, modifications, or changes; and (5) defects or damage to any Product that has not been installed and/or maintained in accordance with the instruction manual or technical instructions provided by Manitowoc. To the extent that warranty exclusions are not permitted under some state laws, these exclusions may not apply to you.

EXCEPT AS STATED IN THE FOLLOWING SENTENCE, THIS LIMITED WARRANTY IS THE SOLE AND EXCLUSIVE WARRANTY OF MANITOWOC WITH REGARD TO THE PRODUCT. ALL IMPLIED WARRANTIES ARE STRICTLY LIMITED TO THE DURATION OF THE LIMITED WARRANTY APPLICABLE TO THE PRODUCTS AS STATED ABOVE, INCLUDING BUT NOT LIMITED TO, ANY WARRANTY OF MERCHANTABILITY OR OF FITNESS FOR A PARTICULAR PURPOSE.

Some states do not allow limitations on how long an implied warranty lasts, so the above limitation may not apply to you.

IN NO EVENT SHALL MANITOWOC OR ANY OF ITS AFFILIATES BE LIABLE TO THE CONSUMER OR ANY OTHER PERSON FOR ANY INCIDENTAL, CONSEQUENTIAL OR SPECIAL DAMAGES OF ANY KIND (INCLUDING, WITHOUT LIMITATION, LOSS PROFITS, REVENUE OR BUSINESS) ARISING FROM OR IN ANY MANNER CONNECTED WITH THE PRODUCT, ANY BREACH OF THIS LIMITED WARRANTY, OR ANY OTHER CAUSE WHATSOEVER, WHETHER BASED ON CONTRACT, TORT OR ANY OTHER THEORY OF LIABILITY.

Some states do not allow the exclusion or limitation of incidental or consequential damages, so the above limitation or exclusion may not apply to you.

### HOW STATE LAW APPLIES

This limited warranty gives you specific legal rights, and you may also have rights that vary from state to state or from one jurisdiction to another.

### REGISTRATION CARD

To secure prompt and continuing warranty service, this warranty registration card must be completed and sent to Manitowoc within thirty (30) days from the sale date. Complete the following registration card and send it to Manitowoc.



# Table des matières

---

## Section 1 Généralités

<b>Références des modèles</b> .....	35
Déflecteur de glaçons .....	35
Installation du bac .....	35
Installation du distributeur .....	35

## Section 2 Instructions d'installation

<b>Emplacement de la machine à glaçons</b> .....	36
<b>Conditions d'espace requises</b> .....	36
<b>Machine à glaçons Chaleur de rejet</b> .....	37
<b>Retrait du bouchon de vidange et mise à niveau du bas de stockage de glaçons</b> .....	37
<b>Chicane d'air</b> .....	37
<b>Alimentation électrique</b> .....	38
TENSION .....	38
Fusible/Disjoncteur .....	38
Courant admissible de circuit minimum .....	38
Conditions électriques requises .....	38
Différentiel .....	38
Spécifications minimales de cordon d'alimentation .....	38
Royaume-uni uniquement .....	38
<b>Tableau des dimensions maximales de disjoncteur et d'intensité minimale du circuit</b> .....	39
<b>Conditions requises d'alimentation en eau et d'évacuations</b> .....	40
Alimentation en eau .....	40
Lignes d'arrivée d'eau .....	40
Raccordements d'évacuation .....	40
Pression d'eau du condenseur refroidi par eau .....	40
Applications avec tour de refroidissement (Modèles refroidis par eau) .....	40
<b>Dimensionnement/Raccordement des conduites d'alimentation en eau et d'évacuation</b> .....	41
<b>Installation de condenseur à distance/de conduites</b> .....	42
Machines à glaçons à distance .....	42
Charge de liquide frigorigène .....	42
Généralités .....	43
Directives pour acheminement des conduites .....	43
Calculer les distances d'installation de condenseur à distance .....	44
Allongement ou diminution des longueurs de conduites .....	45
Connexion de conduites .....	45
Robinet de service du récepteur à distance .....	45
<b>Emploi de machine à glaçons à distance avec condenseurs à circuits multiples de marque autre que Manitowoc</b> .....	46
Garantie .....	46
Vanne de contrôle de pression de refoulement .....	46
Moteur de ventilateur .....	46
Volume interne de condenseur .....	46
Condenseur $\Delta T$ .....	46
Charge de liquide frigorigène .....	46
Raccords à branchement rapide .....	46

## Table des matières (suite)

---

Tableau de dimensionnement de condenseur à circuits multiples autre que Manitowoc .....	47
<b>Liste de vérification d'installation</b> .....	<b>48</b>
<b>Contrôles additionnels pour modèles à distance</b> .....	<b>48</b>
<b>Avant la mise en marche de la machine à glaçons</b> .....	<b>48</b>

### Section 3 Fonctionnement

<b>Séquence de fabrication des glaçons</b> .....	<b>49</b>
Limites de sécurité .....	49
<b>Vérifications opérationnelles</b> .....	<b>50</b>
Généralités .....	50
Contrôle de l'épaisseur des glaçons .....	50

### Section 4 Entretien

<b>Nettoyage et désinfection</b> .....	<b>51</b>
Généralités .....	51
Procédure de nettoyage et de désinfection .....	51
Procédure de nettoyage des machines fortement entartrées .....	51
Nettoyage extérieur .....	51
<b>Procédure de nettoyage et de désinfection</b> .....	<b>52</b>
Procédure de nettoyage .....	52
Procédure de désinfection .....	53
<b>Procédure de nettoyage des machines à glaçons fortement entartrées</b> .....	<b>54</b>
Procédure de nettoyage .....	54
Procédure de désinfection .....	55
<b>Retrait des pièces pour le nettoyage/la désinfection</b> .....	<b>57</b>
<b>Nettoyage extérieur</b> .....	<b>59</b>
<b>Retrait des portes</b> .....	<b>59</b>
<b>Nettoyage du condenseur</b> .....	<b>59</b>
Généralités .....	59
<b>Mise hors service/Hivérization</b> .....	<b>59</b>

### Section 5 Service clientèle

<b>Liste de vérification</b> .....	<b>60</b>
<b>Fonction de limite de sécurité</b> .....	<b>61</b>
<b>Garantie commerciale de la machine à glaçons</b> .....	<b>62</b>
<b>Garantie limitée résidentielle de la machine à glaçons</b> .....	<b>63</b>

# Section 1

## Généralités

### Références des modèles

Le présent manuel s'applique aux modèles suivants :

Autonomes refroidis à l'air	Autonomes refroidis à l'eau	À distance
SD0302A SY0304A	SD0303W SY0305W	----
SD0322A SY0324A	SD0323W SY0325W	----
SR0420A SD0422A SY0424A	SR0421W SD0423W SY0425W	----
SD0452A SY0454A	SD0453W SY0455W	----
SR0500A SD0502A SY0504A	SR0501W SD0503W SY0505W	SR0590N SD0592N SY0594N
SD0602A SY0604A	SD0603W SY0605W	SD0692N SY0694N
SR0850A SD0852A SY0854A	SR0851W SD0853W SY0855W	SR0890N SD0892N SY0894N
SD1002A SY1004A	SD1003W SY1005W SD1003WM	SD1092N SY1094N
SD1202A SY1204A	SD1203W SY1205W	----
SD1402A SY1404A	SD1403W SY1405W SD1403WM	SD1492N SY1494N
SR1600A SD1602A SY1604A	SR1601W SD1603W SY1605W	SR1690N SD1692N SY1694N
SR1800A SD1802A SY1804A	SR1801W SD1803W SY1805W	SR1890N SD1892N SY1894N
----	SD3303W SD3303WHP SY3305W SY3305WHP SD3303WM	----

REMARQUE : Les références de modèle se terminant en HP indiquent la présence d'une vanne de régulation d'eau sous haute pression. Pression standard = 10,34 bars (150 psi) Haute pression = 24,13 bars (350 psi)

#### Avertissement

Retirer tous les panneaux de la machine à glaçons avant de la soulever ou l'installer.

### DÉFLECTEUR DE GLAÇONS

Un déflecteur est requis pour toutes les machines à glaçons installées sur un bac. Un déflecteur n'est pas requis pour les machines à glaçons installées sur un distributeur.

#### Avertissement

Les machines à glaçons Manitowoc requièrent un déflecteur lorsqu'elles sont installées sur un bac de stockage de glaçons.

Avant toute utilisation d'un système de stockage de glaçons autre que Manitowoc avec des machines à glaçons Manitowoc, contacter le fabricant pour s'assurer de la compatibilité du déflecteur avec les machines à glaçons Manitowoc.

#### Avertissement

Ne pas utiliser un équipement qui aura été mal utilisé, abusé, négligé, endommagé ou dont les spécifications originales de fabrication auront été altérées/modifiées.

Le présent appareil ne doit pas être utilisé par des personnes (enfants y compris) ayant des capacités physiques, sensorielles ou mentales diminuées, ou ayant un manque d'expérience et de connaissance, à moins que celles-ci n'aient reçu une formation sur l'utilisation de l'appareil par une personne responsable de leur sécurité.

#### Avertissement

Les machines à glaçons S3000C ne sont homologuées que pour être utilisées sur les bacs Manitowoc B1100-00/ B1400-00.

### INSTALLATION DU BAC

- Toutes les machines à glaçons installées sur un bac requièrent un déflecteur de glaçons.
- Les bacs Manitowoc sont équipés d'un déflecteur et ne nécessitent aucune modification lorsqu'ils sont utilisés avec un évaporateur tourné vers l'avant.
- Les machines à glaçons comportant plusieurs évaporateurs nécessitent un kit déflecteur.

### INSTALLATION DU DISTRIBUTEUR

- Aucun adaptateur n'est requis pour les machines adaptées aux dimensions du distributeur sauf spécification du fabricant du distributeur.
- Aucun déflecteur n'est requis sauf spécification du fabricant du distributeur.
- Il est recommandé d'installer un thermostat de bac pour contrôler le niveau de la glace.

## Section 2

### Instructions d'installation

#### Emplacement de la machine à glaçons

Le choix de l'emplacement pour la machine à glaçons doit respecter les critères suivants. Si l'un de ces critères n'est pas respecté, choisir un autre emplacement.

- L'emplacement doit être exempt d'agents aéroportés et de toute autre substance contaminante.
- La température de l'air doit être au moins de 1,6 °C (35 °F) sans toutefois excéder 43,4 °C (110 °F).
- Refroidissement à l'air à distance - La température de l'air doit être au moins de -29 °C (-20 °F) sans toutefois excéder 49 °C (120 °F).
- L'emplacement ne doit pas se trouver à proximité d'appareils générateurs de chaleur ou à la lumière directe du soleil, et doit être protégé des intempéries.
- L'emplacement ne doit pas obstruer l'écoulement d'air dans la machine ou autour de celle-ci. Consulter le tableau ci-dessous pour obtenir les conditions d'espace requises.

#### Conditions d'espace requises

S300	Autonome refroidissement à l'air	Autonome refroidissement à l'eau
Haut/Côtés	40,6 cm (16 po)	20,3 cm (8 po)
Arrière	12,7 cm (5 po)	12,7 cm (5 po)

S320/S450/S500/S600/S850/S1000	Autonome refroidissement à l'air	Refroidissement à l'eau et À distance*
Haut/Côtés	20,3 cm (8 po)	20,3 cm (8 po)
Arrière	12,7 cm (5 po)	12,7 cm (5 po)

S420	Autonome refroidissement à l'air	Refroidissement à l'eau et À distance*
Haut/Côtés	30,5 cm (12 po)	20,3 cm (8 po)
Arrière	12,7 cm (5 po)	12,7 cm (5 po)

S500 230/50/1Tropical Matelot	Autonome refroidissement à l'air
Haut	61 cm (24 po)
Arrière/Côtés	30,5 cm (12 po)

S1200	Autonome refroidissement à l'air	Refroidissement à l'eau et À distance*
Haut	20,3 cm (8 po)	20,3 cm (8 po)
Côtés	30,5 cm (12 po)	20,3 cm (8 po)

S1400/S1600/S1800	Autonome refroidissement à l'air	Refroidissement à l'eau et À distance*
Haut/Côtés	61,0 cm (24 po)	20,3 cm (8 po)
Arrière	30,5 cm (12 po)	12,7 cm (5 po)

S3300**	Refroidissement à l'eau
Haut/Côtés	20,3 cm (8 po)
Arrière	61,0 cm (24 po)

\*Aucune condition d'espace n'est requise pour les machines à glaçons à refroidissement par eau ou à distance. Cette valeur est recommandée uniquement pour un fonctionnement et un entretien efficaces.

\*\*S3300 – Il est recommandé d'avoir un espace de 61,0 cm (24 po) sur tous les côtés pour permettre un accès sans avoir à déplacer le bac/la machine à glaçons.

#### Attention

La machine à glaçons doit être protégée si elle est susceptible d'être soumise à des températures inférieures à 0 °C (32 °F). Toute défaillance due à une exposition à des températures inférieures à 0 °C n'est pas couverte par la garantie.

## Machine à glaçons Chaleur de rejet

Series Machine à glaçons	Chaleur de rejet	
	Conditionnement d'air	Crête
S300	5000	6000
S320	3800	6000
S420	5900	6900
S450	5900	6900
S500	6100	6900
S600	9000	13900
S850	13000	16000
S1000	17700	21000
S1200	20700	24500
S1400	23500	27000
S1600	21000	31000
S1800	30000	35000
S3300	45000	51000

B.T.U./Heure

Étant donné que le rejet de chaleur varie en fonction du cycle de fabrication de glaçons, le chiffre indiqué n'est qu'une moyenne.

Les machines à glaçons, tout comme tout autre équipement de réfrigération, rejettent la chaleur par le condenseur. Il est utile de connaître la quantité de chaleur rejetée par la machine à glaçons lors du dimensionnement du matériel de conditionnement d'air où sont installées les machines à glaçons autonomes refroidies par l'air.

Cette information est également nécessaire pour évaluer les avantages d'utiliser des condenseurs refroidis par eau ou à distance afin de réduire les charges de conditionnement d'air. La quantité de chaleur ajoutée à un environnement climatisé par une machine à glaçons utilisant un condenseur refroidi par eau ou à distance est négligeable.

Connaître la quantité de chaleur rejetée est également important lors du dimensionnement d'une tour de refroidissement pour un condenseur refroidi par eau. Utiliser le chiffre de crête pour dimensionner la tour de refroidissement.

## Retrait du bouchon de vidange et mise à niveau du bas de stockage de glaçons

1. Retirer le bouchon fileté du raccord de vidange.
2. Visser les pattes de nivellement sur le dessous du bac.
3. Visser le pied de chaque patte aussi loin que possible.

**⚠ Attention**

Les pattes doivent être bien serrées pour les empêcher de se courber.

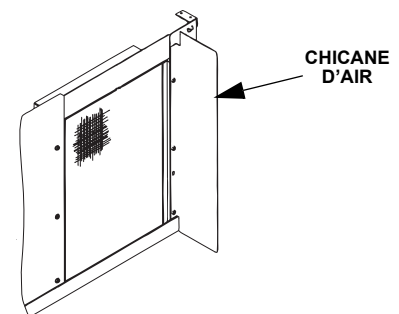
4. Déplacer le bac dans sa position définitive.
5. Nivelier le bac pour s'assurer que la porte du bac se ferme bien hermétiquement. Utiliser un niveau sur le dessus du bac. Tourner la base de chaque pied pour nivelier le bac, le cas échéant.
6. Inspecter le joint de bac avant l'installation de la machine à glaçons. (Les bacs Manitowoc sont livrés avec un joint en plastique à alvéoles fermés installé le long de la surface supérieure du bac.)
7. Retirer tous les panneaux de la machine à glaçons avant de la soulever et de l'installer sur le bac. Retirer les deux panneaux avant, le couvercle supérieur, les panneaux gauche et droit.

## Chicane d'air

AUTONOME REFROIDI À L'AIR UNIQUEMENT

La chicane refroidie à l'air empêche l'air du condenseur de recirculer. Installation :

1. Retirer les vis du panneau arrière à proximité du condenseur.
2. Aligner les trous de fixations de la chicane d'air sur les trous de vis et remonter les vis.



## Alimentation électrique

### Avertissement

Tout le câblage doit être conforme aux codes locaux, régionaux et nationaux.

### TENSION

La variation de tension admissible maximale est de +/-10 % de la tension nominale au démarrage de la machine à glaçons (lorsque la charge électrique est la plus haute).

### Avertissement

La machine à glaçons doit être mise à la terre conformément aux codes de l'électricité nationaux et locaux.

Tous les travaux électriques, notamment l'acheminement et la mise à la terre des câbles, doivent être conformes aux codes de l'électricité locaux, régionaux et nationaux. Respecter les précautions suivantes :

- La machine à glaçons doit être mise à la terre.
- Un fusible/disjoncteur séparé doit être fourni pour chaque machine à glaçons.
- Un électricien qualifié doit déterminer la dimension de câble appropriée en fonction de l'emplacement, des matériaux utilisés et de la longueur de la conduite (un courant admissible minimum peut être utilisé pour sélectionner la dimension du câble).
- La variation de tension admissible maximale est de +/-10 % de la tension nominale au démarrage de la machine à glaçons (lorsque la charge électrique est la plus haute).
- Inspecter toutes les vis de terre vertes dans le boîtier de commande et vérifier qu'elles sont bien serrées avant de mettre en marche la machine à glaçons.

### Important

Observer la polarité correcte de la tension de la ligne d'arrivée. Une polarité incorrecte peut entraîner un fonctionnement erratique de la machine à glaçons.

### FUSIBLE/DISJONCTEUR

Un fusible/disjoncteur séparé doit être fourni pour chaque machine à glaçons. Les disjoncteurs doivent être de catégorie H.A.C.R. (ne s'applique pas au Canada).

### COURANT ADMISSIBLE DE CIRCUIT MINIMUM

Le courant admissible de circuit minimum permet de sélectionner la dimension de câble de l'alimentation électrique. (Le courant admissible de circuit minimum n'est pas la charge d'intensité de fonctionnement de la machine à glaçons.)

La dimension de câble (ou le calibre) dépendant également de l'emplacement, des matériaux utilisés, de la longueur de la conduite, etc., celle-ci doit être déterminée par un électricien qualifié.

### CONDITIONS ÉLECTRIQUES REQUISES

Consulter la plaque de modèle/série de la machine à glaçons pour connaître les spécifications de tension/d'intensité.

### DIFFÉRENTIEL

Une protection par différentiel (GFCI/GFI) est un système qui coupe le circuit électrique (l'ouvre) quand il détecte une perte inattendue de courant, probablement à la terre. Manitowoc Ice ne recommande pas l'emploi d'une protection de circuit GFCI/GFI avec notre équipement. Si le code requiert l'emploi d'un GFCI/GFI, il convient alors de respecter le code local. Le circuit doit être spécialisé, de dimensions correctes et il doit y avoir un disjoncteur de panneau GFCI/GFI. Nous ne recommandons l'emploi de prises GFCI/GFI étant donné qu'elles sont connues pour provoquer davantage de défaillances parasites intermittentes que les disjoncteurs de panneau.

### SPÉCIFICATIONS MINIMALES DE CORDON

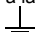
Dimension de disjoncteur maximale	Dimension de câble minimale	Longueur maximale du cordon d'alimentation
15 A	Calibre 14	1,83 m (6 pi)
20 A	Calibre 12	1,83 m (6 pi)
30 A	Calibre 10	1,83 m (6 pi)
40 A	Calibre 8	1,83 m (6 pi)

### D'ALIMENTATION

Avec l'emploi d'un câble d'alimentation, la dimension du câble à la prise dépend de l'emplacement, des matériaux utilisés, de la longueur de la conduite, etc., celle-ci doit donc être déterminée par un électricien qualifié. Les conditions locales, régionales ou nationales remplaceront nos conditions minimales.

#### ROYAUME-UNI UNIQUEMENT

Étant donné que les couleurs de câbles du réseau principal de l'appareil risquent de ne pas correspondre aux marquages en couleur identifiant les bornes de la prise, procéder comme suit :

- Le câble de couleurs **vert et jaune** doit être raccordé à la borne de prise marquée de la lettre E ou du symbole de terre vert  ou de couleur verte ou vert et jaune.
- Le câble de couleur **bleue** doit être raccordé à la borne marquée de la lettre N ou de couleur noire.
- Le câble de couleur **marron** doit être raccordé à la borne marquée de la lettre L ou de couleur rouge.

## Tableau des dimensions maximales de disjoncteur et d'intensité minimale du circuit

**Important**

En raison des améliorations continues, cette information n'est donnée qu'à titre de référence. Consulter l'étiquette de numéro de série de la machine à glaçons pour vérifier les données électriques. L'information de l'étiquette de série annule l'information indiquée sur cette page.

**Important**

S3300 uniquement - Vérifier que le sens de la rotation est correcte sur le compresseur à volute 3ph. La machine à glaçons aura une pression d'aspiration haute, une pression de refoulement basse et sera particulièrement bruyante. Inverser deux fils d'alimentation entrante pour inverser la rotation.

Machine à glaçons	Tension/ Phase/Cycle	Refroidi à l'air		Refroidi à l'eau		À distance	
		Fusible/ Disjoncteur maximum	Intensité minimale du circuit	Fusible/ Disjoncteur maximum	Intensité minimale du circuit	Fusible/ Disjoncteur maximum	Intensité minimale du circuit
<b>S300</b>	115/1/60	25	15,6	25	14,8	S/O	S/O
	230/1/50	15	7,4	15	6,9	S/O	S/O
	230/1/60	15	6,7	15	6,3	S/O	S/O
<b>S320</b>	115/1/60	15	11,3	15	10,5	S/O	S/O
	208-230/1/60	15	6,0	15	5,6	S/O	S/O
	230/1/50	15	6,0	15	5,6	S/O	S/O
<b>S420/S450</b>	115/1/60	20	14,2	20	13,5	S/O	S/O
	208-230/1/60	15	6,1	15	5,7	S/O	S/O
	230/1/50	15	7,1	15	6,8	S/O	S/O
<b>S500</b>	115/1/60	20	20,0	20	13,5	25	20,0
	208-230/1/60	15	6,1	15	5,7	15	8,3
	230/1/50	15	7,1	15	6,8	15	6,7
<b>S600</b>	208-230/1/60	15	8,3	15	7,9	15	8,9
	230/1/50	15	6,7	15	6,1	15	7,1
<b>S850</b>	208-230/1/60	20	11,9	20	10,9	20	11,9
	208-230/3/60	15	9,2	15	8,2	15	9,2
	230/1/50	20	10,8	20	9,4	15	10,4
<b>S1000</b>	208-230/1/60	30	17,3	30	16,3	25	15,7
	208-230/3/60	15	10,6	15	9,6	15	10,6
	230/1/50	20	12,7	20	11,3	20	12,3
	460/3/60	S/O	S/O	15	4,5	S/O	S/O
<b>S1200</b>	208-230/1/60	35	25,0	35	25,0	S/O	S/O
	208-230/3/60	20	16,0	20	16,0	S/O	S/O
	230/1/50	30	20,0	30	20,0	S/O	S/O
<b>S1400</b>	208-230/1/60	30	18,3	30	16,9	30	17,9
	208-230/3/60	20	13,2	20	11,8	20	12,8
	230/1/50	30	15,1	30	13,7	30	14,7
	440-480/3/60	S/O	S/O	15	6,4	S/O	S/O
<b>S1600</b>	208-230/1/60	30	19,8	30	18,4	30	19,4
	208-230/3/60	20	13,5	20	12,1	20	13,1
	230/1/50	30	16,7	30	15,3	30	16,3
<b>S1800</b>	208-230/1/60	40	23,8	40	22,4	40	23,4
	208-230/3/60	25	15,4	25	14,0	25	15,0
	230/1/50	40	21,9	40	20,5	40	21,5
<b>S3300</b>	208-230/1/60	S/O	S/O	S/O	S/O	S/O	S/O
	208-230/3/60	S/O	S/O	30	30	S/O	S/O
	230/1/50	S/O	S/O	S/O	S/O	S/O	S/O
	440-480/3/60	S/O	S/O	15	9,9	S/O	S/O

## Conditions requises d'alimentation en eau et d'évacuations

### ALIMENTATION EN EAU

En fonction des conditions d'eau locales, il peut s'avérer nécessaire de traiter l'eau pour empêcher la formation de tartre, filtrer les sédiments et éliminer le goût et l'odeur du chlore.

### LIGNES D'ARRIVÉE D'EAU

Suivre ces directives pour l'installation des lignes d'arrivée d'eau :

- Pour installer un système de filtration d'eau Manitowoc Arctic Pure, consulter les Instructions d'installation fournies avec le système de filtration pour les raccordements d'arrivée d'eau de fabrication des glaçons.
- Ne pas raccorder la machine à glaçons à une alimentation en eau chaude. S'assurer que tous les restricteurs d'eau chaude installés pour les autres appareils fonctionnent (clapets de non-retour sur robinets d'éviers, lave-vaisselle, etc.)
- Si la pression de l'eau dépasse la pression maximale recommandée de 552 kPa (80 psig), se procurer un régulateur de pression d'eau auprès d'un distributeur Manitowoc.
- Installer un robinet d'arrêt de l'eau pour les lignes d'eau de fabrication de glaçons et d'eau du condenseur.
- Isoler les lignes d'arrivée d'eau pour éviter les problèmes de condensation.

#### Attention

Ne pas appliquer de chaleur au raccord d'arrivée du robinet d'eau et ce, pour ne pas endommager la connexion d'arrivée d'eau en plastique.

### RACCORDEMENTS D'ÉVACUATION

Suivre ces directives lors de l'installation des conduites d'évacuation pour empêcher l'eau de retourner s'écouler dans la machine à glaçons et dans le bac de stockage :

- Les lignes d'évacuation doivent avoir une inclinaison de 2,5 cm par mètre (1,5 pouce par 5 pi) et ne doivent pas créer de siphons.
- Le siphon de sol doit être suffisamment grand pour recevoir l'eau provenant de toutes les évacuations.
- Faire fonctionner séparément les lignes d'évacuation du bac et de la machine à glaçons. Les isoler pour prévenir la condensation.

- Ventiler le bac et la ligne d'évacuation de la machine à glaçons dans l'atmosphère. Ne pas ventiler l'évacuation du condenseur sur les modèles refroidis par eau.
- Le S3300 requiert un raccordement de siphon de base (1 po [25,4 mm] FPT).

### PRESSION D'EAU DU CONDENSEUR REFOIDI PAR EAU

La pression d'eau au niveau du condenseur ne peut excéder 10,34 bars (150 psig) avec le robinet automatique de débit d'eau standard. Contacter un distributeur si la pression d'eau est supérieure à 10,34 bars (150 psig). Une unité de condensation sur commande spéciale est disponible pour une pression d'eau allant jusqu'à 24,13 bars (350 psig).

### APPLICATIONS AVEC TOUR DE REFOIDISSEMENT (MODÈLES REFOIDIS PAR EAU)

Une installation avec tour de refroidissement à eau ne requiert pas de modification de la machine à glaçons. Le régulateur d'eau du condenseur continue de contrôler la pression de refoulement de réfrigération.

Il est nécessaire de connaître la quantité de chaleur rejetée ainsi que la chute de pression dans le condenseur et les robinets d'eau (entrée et sortie) lors de l'utilisation d'une tour de refroidissement sur une machine à glaçons.

- La température de l'eau arrivant dans le condenseur ne doit pas dépasser 32,2 °C (90 °F).
- La quantité d'eau traversant le condenseur ne doit pas dépasser 19 litres (5 gallons) par minute.
- Prévoir une chute de pression de 0,5 bar (7 psi) entre l'arrivée d'eau du condenseur et la sortie de la machine à glaçons.
- La température de l'eau sortant dans le condenseur ne doit pas dépasser 43,3 °C (110 °F).

#### Important

L'État du Massachusetts exige que tous les modèles refroidis par eau soient raccordés uniquement à un système de tour de refroidissement à boucle fermée.



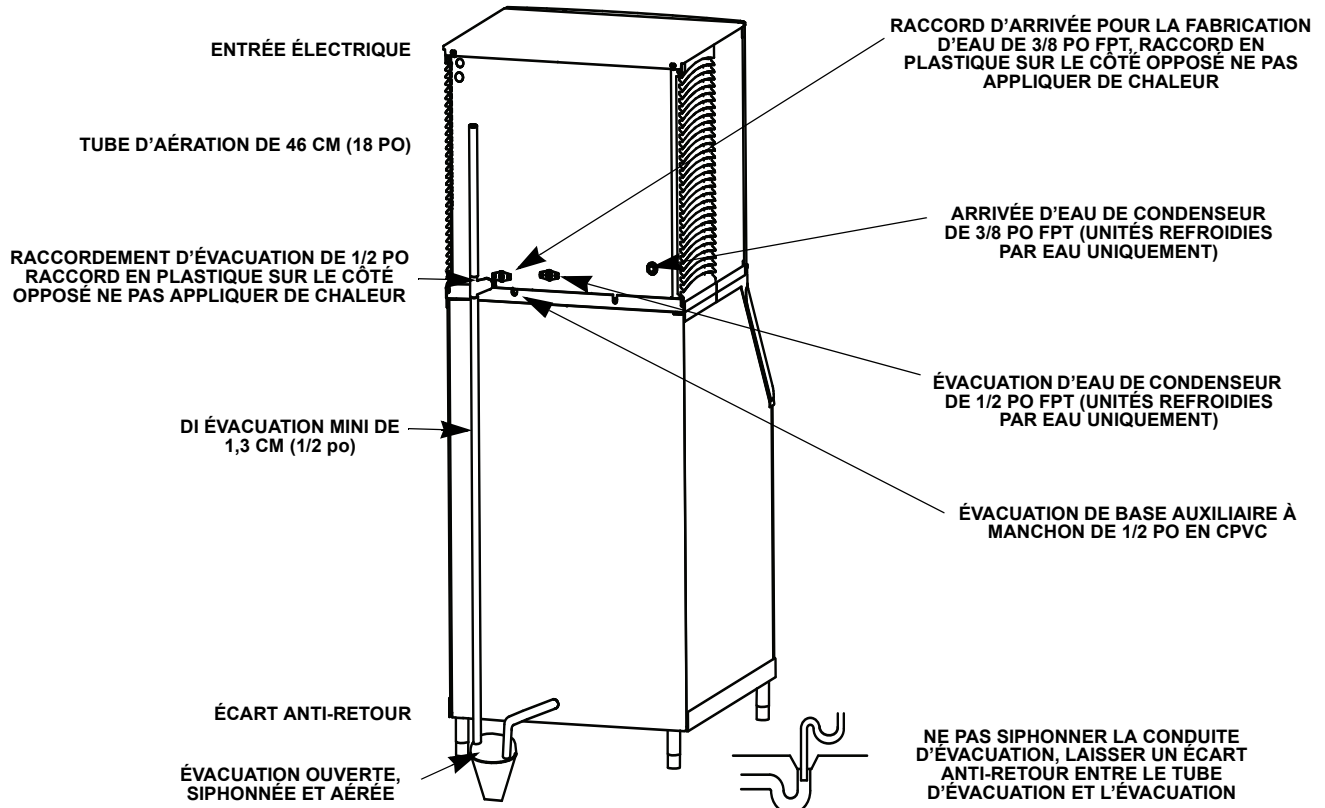
## Dimensionnement/Raccordement des conduites d'alimentation en eau et d'évacuation

**⚠ Attention**

La tuyauterie doit être conforme aux codes locaux et régionaux.

Emplacement	Température de l'eau	Pression d'eau	Raccordement de la machine à glaçons	Dimension de tubulure jusqu'à raccordement de machine à glaçons
Arrivée d'eau pour la fabrication de glaçons	1,6 °C (35 °F) Mini 32,2 °C (90 °F) Maxi	1,4 bar (20 psi) Mini 5,52 bars (80 psi) Maxi	Filetage femelle de tuyau de 0,95 cm (3/8 po) 1,27 cm (1/2 po) FPT S3300 uniquement	0,95 cm (3/8 po) diamètre intérieur minimum 1,27 cm (1/2 po) S3300 uniquement
Évacuation d'eau pour la fabrication de glaçons	---	---	Filetage femelle de tuyau de 1,27 cm (1/2 po) 2,54 cm (1 po) FPT S3300 uniquement 2,54 cm (1 po) FPT Évacuation de base S3300 uniquement	1,27 cm (1/2 po) diamètre intérieur minimum 2,54 cm (1 po) S3300 uniquement
Arrivée d'eau de condenseur	32,2 °C (90 °F) Maxi	<b>Standard</b> 1,4 bar (20 psi) Mini 10,34 bars (150 psi) Maxi <b>Option haute pression</b> 1,4 bar (20 psi) Mini 24,1 bars (350 psi) Maxi	Filetage femelle de tuyau de 0,95 cm (3/8 po) Filetage femelle de tuyau de 2,54 cm (1 po) S3300 uniquement	
Évacuation d'eau du condenseur	---	---	Filetage femelle de tuyau de 1,27 cm (1/2 po) 2,54 cm (1 po) FPT S3300 uniquement	1,27 cm (1/2 po) diamètre intérieur minimum 2,54 cm (1 po) S3300 uniquement
Évacuation de bac	---	---	Filetage femelle de tuyau de 1,91 cm (3/4 po)	1,91 cm (3/4 po) diamètre intérieur minimum
Évacuation de bac grande capacité	---	---	Filetage mâle de tuyau de 2,54 cm (1 po)	2,54 cm (1 po) diamètre intérieur minimum

Les emplacements exacts des arrivées et des évacuations du modèle sur lequel on travaille peut varier.



Installation d'évacuation d'alimentation en eau type

**Installation de condenseur à distance/de conduites**

Machine à glaçons	Condenseur à circuit unique à distance	Conduites*
S500	JC0495	RT-20-R404A RT-35-R404A RT-50-R404A
S600/S800/S1000	JC0895	RT-20-R404A RT-35-R404A RT-50-R404A
S1400/S1600/S1800	JC1395	RL-20-R404A RL-35-R404A RL-50-R404A

*Conduites	Conduite de refoulement	Conduite de liquide
RT	1,27 cm (1/2 po)	0,79 cm (5/16 po)
RL	1,27 cm (1/2 po)	0,95 cm (3/8 po)

Température d'air autour du condenseur	
Minimum	Maximum
-29 °C (-20 °F)	49 °C (120 °F)

**Important**

Les systèmes à distance Manitowoc ne sont approuvés et garantis qu'en tant qu'ensemble neuf complet. La garantie du système de réfrigération sera nulle si une nouvelle partie principale de machine à glaçons est raccordée à une tubulure préexistante (usagée) ou à des condenseurs à distance.

**MACHINES À GLAÇONS À DISTANCE CHARGE DE LIQUIDE FRIGORIGÈNE**

Chaque machine à glaçons à distance est expédiée de l'usine avec une charge en liquide frigorigène adéquate pour une installation avec des conduites allant jusqu'à 15,25 m (50 pi). L'étiquette de série figurant sur la machine à glaçons indique la charge en liquide frigorigène.

Un liquide frigorigène additionnel peut être requis pour des installations utilisant des conduites entre 15,25 et 30,5 m (50 et 100 pi) de long. Si du liquide frigorigène additionnel est requis, consulter le tableau ci-dessous pour connaître la quantité correcte à ajouter.

**Important**

**TECHNICIENS CERTIFIÉS EPA**

Si la longueur de conduites à distance se trouve entre 15,25 et 30,5 m (50 et 100 pi), ajouter du liquide frigorigène additionnel à la charge de plaque signalétique. Consulter le tableau ci-dessous pour le modèle sur lequel on travaille.

Longueur de tubulure : \_\_\_\_\_

Liquide frigorigène ajouté à plaque signalétique : \_\_\_\_\_

Charge de liquide frigorigène neuf total : \_\_\_\_\_

**⚠ Avertissement**

**Situation comportant un risque de blessure corporelle**

La machine à glaçons contient une charge de liquide frigorigène. L'installation des conduites doit être effectuée par un technicien qualifié et certifié dans le secteur de la réfrigération par l'EPA, et qui soit informé des **dangers que comportent les équipements chargés de liquide frigorigène**.

**⚠ Attention**

Ne jamais ajouter plus que la charge de plaque signalétique dans le système de réfrigération pour toute application quelle qu'elle soit.

Machine à glaçons	Charge de plaque signalétique (Charge expédiée dans la machine à glaçons)	Liquide frigorigène à ajouter pour des conduites de 15,25 à 30,5 m (50 à 100 pi)	Charge de système maximale (Ne jamais excéder)
S500	6 lb (96 oz)	1,5 lb (24 oz)	7,5 lb (120 oz)
S600	6,5 lb (104 oz)	1,5 lb (24 oz)	8 lb (128 oz)
S850	8,5 lb (136 oz)	2 lb (32 oz)	10,5 lb (168 oz)
S1000	8,5 lb (136 oz)	2 lb (32 oz)	10,5 lb (168 oz)
S1400	11 lb (176 oz)	2 lb (32 oz)	13 lb (208 oz)
S1600	11,5 lb (184 oz)	2 lb (32 oz)	13,5 lb (216 oz)
S1800	12,5 lb (200 oz)	1 lb (16 oz)	13,5 lb (216 oz)

## GÉNÉRALITÉS

Les condenseurs doivent être montés horizontalement, le moteur de ventilateur étant sur le haut sans aucune obstruction. Il doit y avoir un espace d'au moins 41 cm (16 po) du bas pour l'admission d'air. Le panneau de raccordement avant et un autre panneau (arrière ou côté) ne doit également avoir aucune obstruction.

Les installations de condenseurs à distance comportent des conduites verticales et horizontales entre la machine à glaçons et le condenseur. Une fois combinées, elles doivent être ajustées aux spécifications approuvées. Les directives, schémas et méthodes de calcul suivants doivent être respectés pour vérifier une installation de condenseurs à distance appropriée.

### ⚠ Attention

La garantie de 60 mois du compresseur (y compris la garantie de remplacement de main d'œuvre de 36 mois) ne s'appliquera pas si la machine à glaçons à distance n'est pas installée conformément aux spécifications.

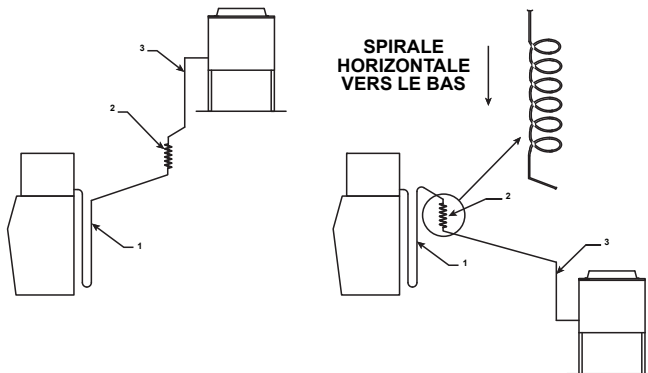
La présente garantie ne s'applique pas non plus si le système de réfrigération est modifié par un condenseur, un récupérateur de chaleur ou d'autres pièces ou ensembles non fabriqués par Manitowoc Ice sauf en cas d'approbation spécifique écrite par Manitowoc Ice.

## DIRECTIVES POUR ACHEMINEMENT DES CONDUITES

Commencer par couper un trou circulaire de 6,35 cm (2,5 po) dans le mur ou le toit pour l'acheminement des tubulures. L'extrémité de conduite ayant un coude de 90° se raccordera à la machine à glaçons. L'extrémité droite se connectera au condenseur à distance.

Suivre ces directives pour acheminer les conduites de liquide frigorigène. Ceci pour permettre d'assurer un bon fonctionnement et une bonne accessibilité de service.

1. En option – Effectuer la boucle de service dans les conduites (comme il l'est indiqué ci-dessous). Ceci permet un accès aisé à la machine à glaçons pour le nettoyage et l'entretien. Ne pas utiliser de cuivre rigide dur à cet emplacement.
2. Obligatoire – Ne pas former de siphons dans les conduites de réfrigération (sauf la boucle de service). L'huile réfrigérante doit être libre de s'évacuer vers la machine à glaçons ou le condenseur. Acheminer la tubulure en excès en une spirale horizontale vers le bas supportée (comme il l'est indiqué ci-dessous). Ne pas enrouler la tubulure verticalement.
3. Obligatoire – Conserver les longueurs de conduites de réfrigérant extérieures aussi courtes que possible.



Acheminement des conduites

**CALCULER LES DISTANCES D'INSTALLATION DE CONDENSEUR À DISTANCE**

**Longueur des conduites**

La longueur maximale est de 30,5 m (100 pi).

Le compresseur de machine à glaçons doit avoir un retour d'huile adéquat. Le récepteur est conçu pour contenir une charge suffisante pour faire fonctionner la machine à glaçons dans des températures ambiantes situées entre -29 °C (-20 °F) et 49 °C (120 °F), avec des longueurs de conduites allant jusqu'à 30,5 m (100 pi).

**Distance vers le haut/le bas des conduites**

La distance maximale vers le haut est de 10,7 m (35 pi).

La longueur maximale vers le bas est de 4,5 m (15 pi).

**⚠ Attention**

Si une conduite a une élévation suivie par une descente, une autre élévation ne peut être effectuée. De même, si une conduite a une descente suivie par une élévation, une autre descente ne peut être effectuée.

**Distance calculée de conduites**

La distance calculée maximale est de 45,7 m (150 pi).

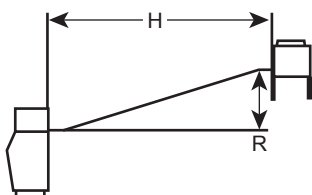
Les élévations, descentes, parcours horizontaux de conduites (ou combinaisons de ceux-ci) dépassant les maximums indiqués excèderont les tolérances de mise en marche et de fabrication du compresseur et ce, pour éviter un retour d'huile médiocre vers le compresseur.

Effectuer les calculs suivants pour s'assurer que l'aménagement des conduites respecte les spécifications.

1. Insérer l'**élévation mesurée** dans la formule ci-dessous. Multiplier par 1,7 pour obtenir l'**élévation calculée**.  
(Exemple : Un condenseur situé à 3,0 m [10 pi] au-dessus de la machine à glaçons a une **élévation calculée** de 5,2 m [17 pi].)
2. Insérer la **descente mesurée** dans la formule ci-dessous. Multiplier par 6,6 pour obtenir la **descente calculée**.  
(Exemple : Un condenseur situé à 3,0 m [10 pi] au-dessous de la machine à glaçons a une **descente calculée** de 20,1 m [66 pi].)
3. Insérer la **distance horizontale mesurée** dans la formule ci-dessous. Pas de calcul nécessaire.
4. Ajouter l'**élévation calculée**, la **descente calculée** et la **distance horizontale** ensemble pour obtenir la **distance calculée totale**. Si ce total excède 45,7 m (150 pi), déplacer le condenseur dans un autre emplacement et refaire les calculs.

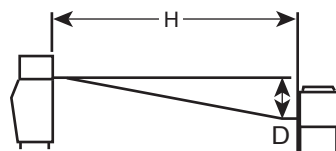
**Formule de calcul de la distance de conduites maximale**

Étape 1.	Élévation mesurée (10,7 m [35 pi] maximum)	_____ x 1,7	=	_____	Élévation calculée
Étape 2.	Descente mesurée (4,5 m [15 pi] maximum)	_____ x 6,6	=	_____	Descente calculée
Étape 3.	Distance horizontale mesurée (30,5 m [100 pi] maximum)			_____	Distance horizontale
Étape 4.	Distance calculée totale 45,7 m (150 pi)			_____	Distance calculée totale



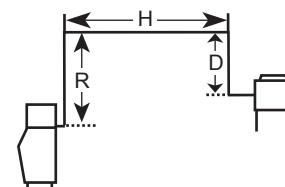
SV1196

**Combinaison d'un parcours à élévation et conduite horizontale**



SV1195

**Combinaison d'un parcours à descente et conduite horizontale**



SV1194

**Combinaison d'un parcours à élévation, à descente et conduite horizontale**

### ALLONGEMENT OU DIMINUTION DES LONGUEURS DE CONDUITES

Dans la plupart des cas, en acheminant les conduites correctement, il n'est pas nécessaire de les raccourcir. Lorsqu'il faut raccourci ou allonger, le faire avant de raccorder les conduites à la machine à glaçons ou au condenseur à distance et ce, pour éviter la perte de liquide frigorigène dans la machine à glaçons ou le condenseur.

Les raccords à branchement rapide sur les conduites sont munis de vanes Schraeder. Utiliser ces vanes pour récupérer toute charge de vapeur des conduites. Pour allonger ou raccourcir les conduites, suivre les bonnes pratiques de réfrigération, purger à l'azote et isoler toutes les tubulures. Ne pas modifier les dimensions des tubes. Évacuer les conduites et placer une charge de liquide frigorigène de vapeur de 143 g (5 oz) environ dans chaque conduite.

### CONNEXION DE CONDUITES

1. Retirer les capuchons pare-poussière des conduites, du condenseur et de la machine à glaçons.
2. Appliquer de l'huile réfrigérante sur les filets des raccords à dégagement rapide avant de les connecter au condenseur.
3. Fileter soigneusement le raccord femelle au condenseur ou à la machine à glaçons à la main.
4. Serrer les raccords à l'aide d'une clé jusqu'au bout.
5. Faire tourner d'un quart de tour additionnel pour assurer une installation adéquate laiton-à-laiton. Serrer aux spécifications suivantes :

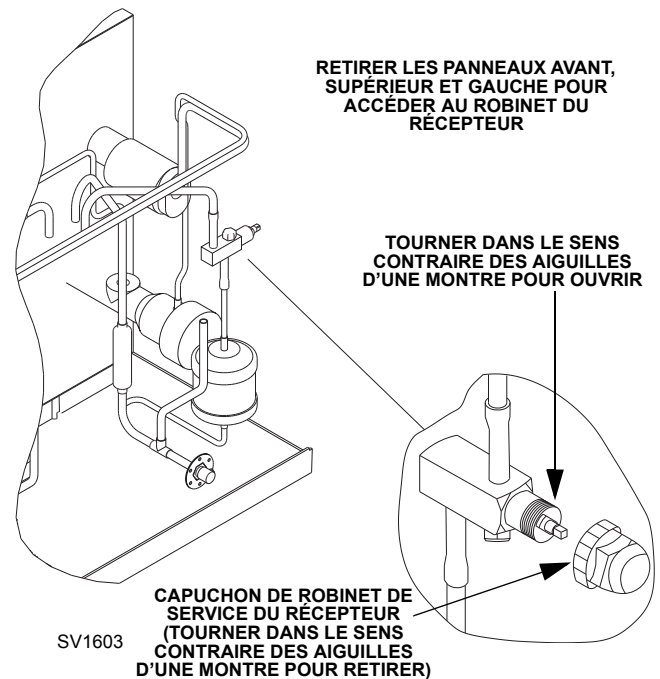
Conduite de liquide	Conduite de refoulement
13,5-16,2 N•m (10-12 ft lb)	47,5-61,0 N•m (35-45 ft lb)

6. Vérifier tous les raccords et bouchons de valves pour fuites éventuelles.
7. S'assurer que les intérieurs de valves Schraeder sont installés et que les capuchons de valves Schraeder sont mis et serrés.

### ROBINET DE SERVICE DU RÉCEPTEUR À DISTANCE

Le robinet de service du récepteur est fermé pendant l'expédition. Ouvrir le robinet avant de mettre la machine à glaçons en marche.

1. Retirer les panneaux supérieur et gauche.
2. Retirer le capuchon de valve de service du récepteur.
3. Mettre le robinet sur siège arrière (ouvrir).
4. Remonter le capuchon et les panneaux.



**Mettre le robinet de service du récepteur sur siège arrière**

## Emploi de machine à glaçons à distance avec condenseurs à circuits multiples de marque autre que Manitowoc

### GARANTIE

La garantie de soixante (60) mois du compresseur, y compris une garantie de remplacement de main d'œuvre de trente-six (36) mois, **ne s'appliquera pas** lorsque la machine à glaçons à distance n'est pas installée selon les spécifications à distance. La garantie précédente ne s'appliquera à aucune machine à glaçons installée et/ou maintenue de manière inconsistante avec les instructions techniques fournies par Manitowoc Ice, Inc. La performance peut varier des spécifications des Ventes. Les valeurs nominales standard certifiées ARI des Modèles S ne s'appliquent que lorsqu'elles sont utilisées avec un condenseur à distance Manitowoc.

Si la conception du condenseur respecte les spécifications, l'approbation de Manitowoc est uniquement que la couverture de la pleine garantie soit étendue à la partie du système fabriqué par Manitowoc. Étant donné que Manitowoc ne teste pas le condenseur en conjonction avec la machine à glaçons, Manitowoc n'endossera, ne recommandera ni s'approuvera le condenseur, et ne sera en aucun cas responsable de sa performance ou de sa fiabilité.

#### Important

Manitowoc garantit uniquement les ensembles complets à distance neufs et non usagés. Garantir l'intégrité d'une machine à glaçons neuve en vertu des termes de notre garantie interdit l'emploi de tubulure ou de condenseurs préexistants (usagés).

### VANNE DE CONTRÔLE DE PRESSION DE REFOULEMENT

Tout condenseur à distance connecté à une machine à glaçons Modèle S Manitowoc doit être muni d'une vanne de contrôle de pression de refoulement (disponible auprès des distributeurs Manitowoc) sur l'ensemble de condenseur. Manitowoc **n'acceptera pas** de vanne de contrôle de pression de refoulement de remplacement « de série ».

#### Attention

Ne pas utiliser de commande de cycle de ventilateur pour essayer de maintenir la pression de décharge. Une défaillance du compresseur en résultera.

### MOTEUR DE VENTILATEUR

Le ventilateur du condenseur doit être **sous tension** durant le cycle complet de congélation de la machine à glaçons (ne pas cycliser sur la commande de cycle de ventilateur). La machine à glaçons a un circuit de moteur de ventilateur à utiliser avec un condenseur Manitowoc. Il est recommandé d'utiliser ce circuit pour contrôler le ou les ventilateurs de condenseur sur le condenseur à circuits multiples pour s'assurer qu'il est sous tension au bon moment. **Ne pas excéder l'intensité nominale pour le circuit du moteur de ventilateur indiquée sur l'étiquette de série de la machine à glaçons.**

### VOLUME INTERNE DE CONDENSEUR

Le volume interne de condenseur à circuits multiples ne doit pas être inférieur ni supérieur à celui utilisé par Manitowoc (voir le tableau à la page suivante). **Ne pas excéder le volume interne ni essayer d'ajouter une charge pour compenser et ce, pour ne pas endommager le compresseur.**

### CONDENSEUR $\Delta T$

$\Delta T$  est la différence de température entre le liquide frigorigène de condensation et l'air entrant. La  $\Delta T$  doit se trouver entre -9,4 et -6,6 °C (15 et 20 °F) au début du cycle de congélation (conditions de charge maximale) et tomber entre -11,1 et -8,3 °C (12 et 17 °F) durant les 75 derniers % du cycle de congélation (conditions de charge moyenne).

### CHARGE DE LIQUIDE FRIGORIGÈNE

Les machines à glaçons à distance ont la charge de liquide frigorigène de plaque de série (charge totale de système) située dans la section de fabrication de glaçons. (Les condenseurs et les distances à distance sont fournies avec uniquement une charge de vapeur.)

#### Attention

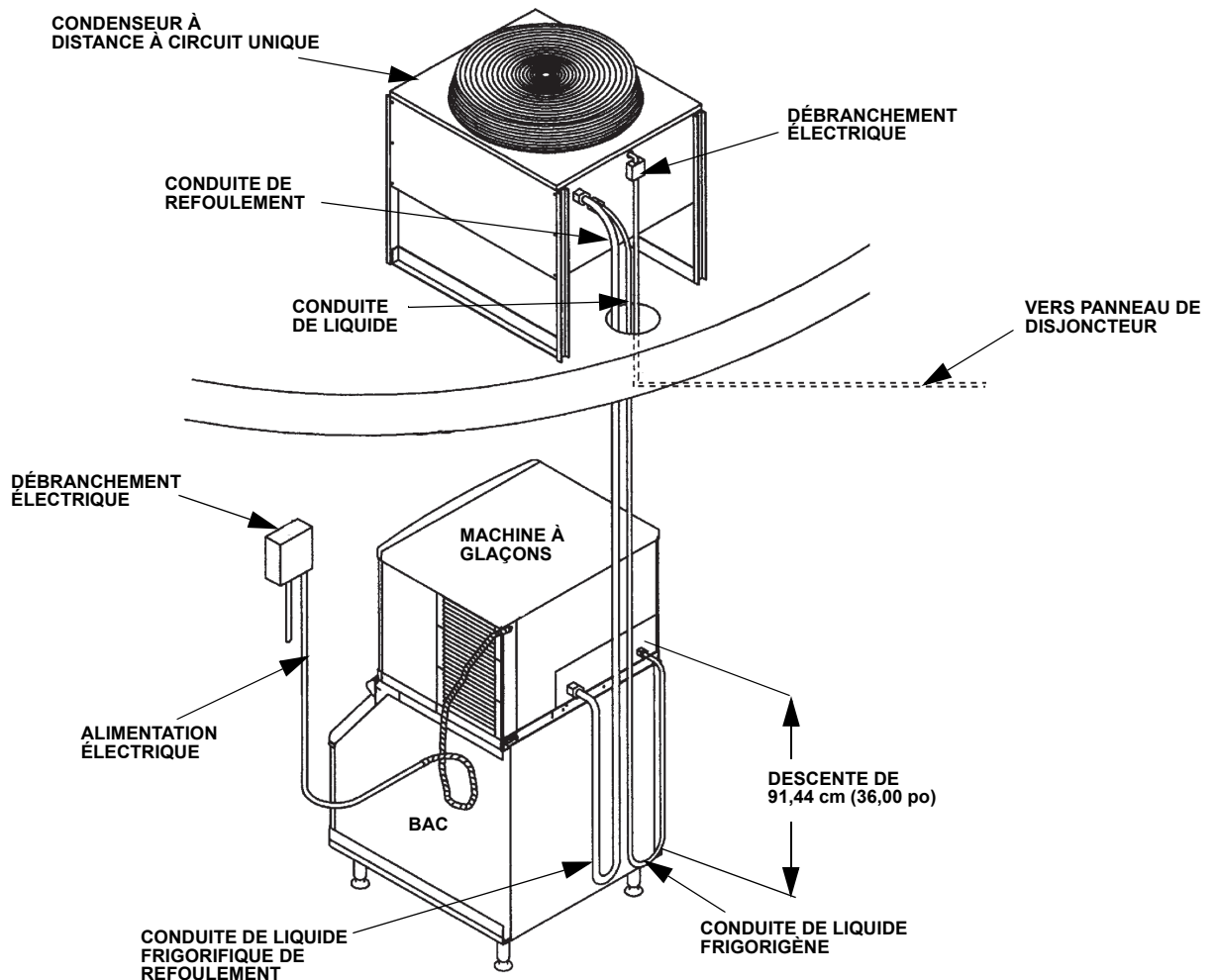
Ne jamais ajouter plus que la charge de plaque signalétique dans la machine à glaçons pour toute application quelle qu'elle soit.

### RACCORDS À BRANCHEMENT RAPIDE

La machine à glaçons et les conduites sont munies de raccords à branchement rapide. Il est recommandé d'installer des branchements rapides appareillés (disponibles auprès des distributeurs Manitowoc) dans le condenseur à circuits multiples, et d'ajouter une charge de « maintien » de vapeur, 150 ml (5 oz) de liquide frigorigène approprié au condenseur avant la connexion de la machine à glaçons ou des conduites au condenseur.

TABLEAU DE DIMENSIONNEMENT DE CONDENSEUR À CIRCUITS MULTIPLES AUTRE QUE MANITOWOC

Modèle de machine à glaçons	Liquide frigorigène		Rejet de chaleur		Volume interne de condenseur (pi <sup>3</sup> )		Pression nominale	Goujons à branchement rapide- Extrémités mâles		Vanne de contrôle de pression de refolement
	Type	Charge	Moyenne de Btu/h	Crête de Btu/h	Mini	Maxi		Refolement	Liquide	
S500	R-404A	6 lbs.	6 100	6 900	0,020	0,035	500 psig (3 447 kpa) (34,47 bars) pression limite	raccord Réf. 83-6035-3	raccord Réf. 83-6034-3	Manitowoc Réf. 83-6809-3
S600	R404A	6,5 lbs	9 000	13 900	0,045	0,060				
S850	R-404A	8,5 lbs	13 000	16 000	0,045	0,060	2 500 psig (17 237 kpa) (172,37 bars) pression d'éclatement	bride de fixation Réf. 83-6006-3	bride de fixation Réf. 83-6005-3	
S1000	R-404A	8,5 lbs	17 700	21 000	0,045	0,060				
S1400	R-404A	11 lbs	20 700	24 500	0,085	0,105				
S1600	R-404A	11,5 lbs	21 000	31 000	0,085	0,105				
S1800	R-404A	12,5 lbs	30 000	35 000	0,085	0,105				<b>pas de remplacement</b>



Installation de condenseur à distance à circuit unique type

## Liste de vérification d'installation

- La machine à glaçons est-elle à niveau ?
- Tous les raccordements électriques et d'eau ont-ils été effectués ?
- La tension d'alimentation a-t-elle été testée et vérifiée par rapport à la valeur nominale indiquée sur la plaque signalétique ?
- Y a-t-il un espace approprié autour de la machine à glaçons pour la circulation d'air ?
- La machine à glaçons est-elle mise à la terre et la polarité est-elle correcte ?
- La machine à glaçons a-t-elle été installée là où des températures ambiantes resteront dans la fourchette de 1,6 à 43,3 °C (35 à 110 °F) ?
- La machine à glaçons a-t-elle été installée là où la température d'eau entrante restera dans la fourchette de 1,6 à 32,2 °C (35 à 90 °F) ?
- Y a-t-il une évacuation séparé pour l'eau potable, le bac et le condenseur refroidi par eau ?
- Les évacuations de machine à glaçons et de bac sont-elles aérées ?
- Tous les fils électriques sont-ils exempts de contact des lignes de réfrigération et de l'équipement mobile ?
- Le propriétaire/l'opérateur a-t-il été informé de l'entretien et de l'utilisation du nettoyant et du désinfectant Manitowoc ?
- Le propriétaire/l'opérateur a-t-il rempli la carte de garantie ?
- La machine à glaçons et le bac ont-ils été désinfectés ?
- L'interrupteur à bascule est-il réglé sur ICE ? (L'interrupteur à bascule se trouve directement derrière le panneau avant.)
- La commande d'épaisseur de glaçons est-elle réglée correctement ? (Consulter les Contrôles opérationnels pour vérifier/établir l'épaisseur de pont de glace correcte.)

- S3300 uniquement** - Le sens de rotation du compresseur est-il correct ? La machine à glaçons aura une pression d'aspiration haute, une pression de refoulement basse et sera particulièrement bruyante. Inverser deux fils d'alimentation entrante pour inverser la rotation.

## Contrôles additionnels pour modèles à distance

- Le robinet de service du récepteur a-t-il été ouvert ?
- Le ventilateur du condenseur à distance fonctionne-t-il correctement après la mise en marche ?
- Le condenseur à distance a-t-il été installé là où des températures ambiantes resteront dans la fourchette de -29 à 49 °C (-20 à 120 °F) ?
- Les conduites sont-elles acheminées correctement ?
- Les deux lignes de réfrigération vers le condenseur à distance sont-elles installées de manière à ce qu'elles ne reposent pas dans l'eau et qu'elles soient installées correctement ?

## Avant la mise en marche de la machine à glaçons

Toutes les machines à glaçons Manitowoc sont mises en route et ajustées en usine avant l'expédition. Normalement, les nouvelles installations ne requièrent aucun ajustement.

Pour garantir un bon fonctionnement, suivre les Contrôles opérationnels figurant à la Section 3 du présent manuel. La mise en marche de la machine à glaçons et exécuter les contrôles opérationnels sont la responsabilité du propriétaire/de l'opérateur.

Les réglages et les procédures de maintenance indiqués dans ce manuel ne sont pas couverts par la garantie.

**Avertissement****Situation comportant un risque de blessure corporelle**

Ne pas utiliser un équipement qui aura été mal utilisé, abusé, négligé, endommagé ou dont les spécifications originales de fabrication auront été altérées/modifiées.



## Section 3

# Fonctionnement

---

### Séquence de fabrication des glaçons

REMARQUE : L'interrupteur à bascule doit se trouver en position ICE et le rideau d'eau/les amortisseurs de glaçons doivent être en place sur l'évaporateur avant que la machine à glaçons ne puisse démarrer.

#### Cycle de purge d'eau

La machine à glaçons évacue toute eau restante du bac à eau par le siphon.

#### Cycle de congélation

L'eau s'écoule sur l'évaporateur et le système de réfrigération refroidit l'évaporateur. La glace se forme sur l'évaporateur jusqu'à ce que l'eau entre en contact avec la sonde d'épaisseur des glaçons.

#### Cycle de récupération

Toute l'eau restante s'évacue dans le siphon tandis que le gaz réfrigérant chauffe l'évaporateur. Lorsque l'évaporateur chauffe, la feuille de glaçons glisse de l'évaporateur vers le bac de stockage. Si tous les glaçons tombent pour vider le rideau d'eau (ou amortisseur de glaçons), la machine à glaçons démarre un autre cycle de congélation.

#### Cycle d'arrêt

Si le rideau d'eau ou l'amortisseur de glaçons est ouvert par la présence de glaçons, la machine à glaçons s'arrête. Lorsque le rideau d'eau ou l'amortisseur de glaçons se ferme, la machine à glaçons démarre un nouveau cycle à la purge d'eau.

#### Temporisateurs de tableau de commande

Le tableau de commande comporte les temporisateurs non réglables suivants :

- La machine à glaçons est verrouillée dans le cycle de congélation pendant 6 minutes avant de pouvoir lancer le cycle de récupération. Le verrouillage de congélation est contourné après avoir passé l'interrupteur à bascule de la position OFF en position ICE pour le premier cycle uniquement.
- Le temps de congélation maximum est de 60 minutes après quoi le tableau de commande lance automatiquement une séquence de récupération des glaçons.
- La durée maximale de récupération est de 3,5 minutes pour les modèles à évaporateur unique et de 7 minutes pour les modèles à évaporateurs multiples. Le tableau de commande lance automatiquement une séquence de congélation lorsque ces temps sont dépassés.

### LIMITES DE SÉCURITÉ

Les limites de sécurité sont mises en mémoire et indiquées par le tableau de commande au bout de trois cycles. Le nombre de cycles requis pour arrêter la machine à glaçons varie pour chaque limite de sécurité.

- Limite de sécurité n° 1 *tous les modèles* - Si le temps de congélation atteint 60 minutes, le tableau de commande lance automatiquement un cycle de récupération des glaçons. La machine à glaçons s'arrête après 6 cycles consécutifs de congélation de 60 minutes.
- Limite de sécurité n° 2 *modèles à évaporateur unique* - Si le temps de récupération des glaçons atteint 3,5 minutes, le tableau de commande lance automatiquement le cycle de congélation de la machine à glaçons. La machine à glaçons s'arrête après 500 cycles consécutifs de congélation de 3,5 minutes.
- Limite de sécurité n° 2 *modèles à évaporateurs multiples* - Si le temps de récupération des glaçons atteint 7 minutes, le tableau de commande lance automatiquement le cycle de congélation de la machine à glaçons. La machine à glaçons s'arrête après 500 cycles consécutifs de congélation de 7 minutes.
- Limite de sécurité n° 3 *modèles à évaporateurs multiples* - Si la commande de pression de liquide frigorigène basse s'ouvre, la machine à glaçons s'arrête et démarre une durée de délai de 5 minutes. Au bout de 3 événements consécutifs de basse pression, la machine à glaçons s'arrête et un voyant clignote pour indiquer la récupération de glaçons.

Utiliser les procédures suivantes pour déterminer si le tableau de commande comporte une indication de limite de sécurité.

1. Mettre l'interrupteur à bascule en position OFF.
2. Remettre l'interrupteur à bascule en position ICE. Regarder les voyants de limite de sécurité/voyant de récupération des glaçons sur le tableau de commande. Si une limite de sécurité a été enregistrée, le voyant correspondant clignote une, deux ou trois fois pour indiquer quelle limite de sécurité a déclenché l'arrêt de la machine à glaçons.

## Vérifications opérationnelles

### GÉNÉRALITÉS

Les machines à glaçons Manitowoc sont mises en route et ajustées en usine avant l'expédition. Normalement, les nouvelles installations ne requièrent aucun ajustement.

Pour garantir un bon fonctionnement, toujours suivre les Contrôles opérationnels :

- lorsque de la mise en marche de la machine à glaçons pour la première fois
- après une période prolongée hors service
- après le nettoyage et la désinfection

REMARQUE : Les réglages périodiques et procédures d'entretien ne sont pas couverts par la garantie.

Scroll réfrigération compresseur doit être les fonctionnements pour une minimum rompre dans époque de 24 heures précédemment repli glace réalisation seront étendue.

#### Important

Scroll réfrigération compresseur doit être les fonctionnements pour une minimum rompre dans époque de 24 heures précédemment repli glace réalisation seront étendue.

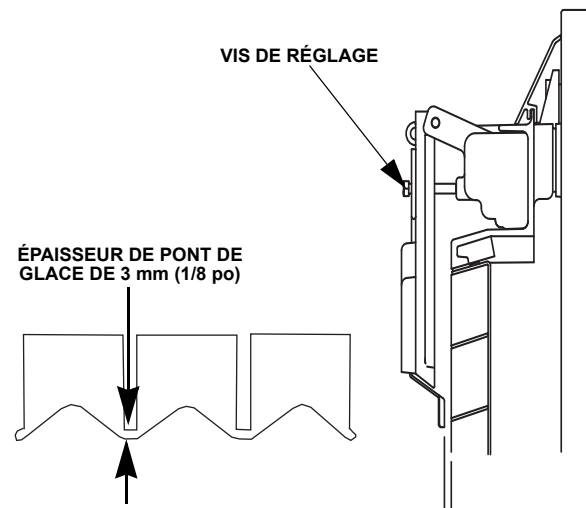
## CONTRÔLE DE L'ÉPAISSEUR DES GLAÇONS

Après un cycle de récupération des glaçons, inspecter les glaçons dans le bac de stockage de glaçons. La sonde d'épaisseur des glaçons est réglée en usine pour maintenir l'épaisseur du pont de glace à 3 mm (1/8 po).

REMARQUE : S'assurer que le rideau d'eau est en place lorsque ce contrôle est effectué. Il empêche les projections d'eau hors du bac à eau.

1. Inspecter le pont connectant les glaçons. Son épaisseur doit être d'environ 3 mm (1/8 po).
2. Si un réglage est nécessaire, tourner la vis de réglage de la sonde d'épaisseur des glaçons dans le sens des aiguilles d'une montre pour augmenter l'épaisseur du pont et dans le sens contraire des aiguilles d'une montre pour diminuer l'épaisseur du pont. Laisser un espace de 6 mm (1/4 po) entre la machine à glaçons et l'évaporateur comme point de départ, puis effectuer le réglage pour obtenir une épaisseur de pont de 3 mm (1/8 po).

REMARQUE : Si la vis de réglage est tournée de 1/3, l'épaisseur des glaçons changera d'environ 1,5 mm (1/16 po).



### Contrôle de l'épaisseur des glaçons

3. Veiller à ce que le fil de la sonde d'épaisseur des glaçons et le support n'entravent pas le mouvement de la sonde.

## Section 4

### Entretien

#### Nettoyage et désinfection

##### GÉNÉRALITÉS

Le propriétaire est responsable de l'entretien de la machine à glaçons conformément aux instructions figurant dans le présent manuel. Les procédures d'entretien ne sont pas couvertes par la garantie.

Nettoyer et désinfecter la machine à glaçons tous les six mois pour un fonctionnement efficace. Si la machine à glaçons requiert un nettoyage et une désinfection plus fréquents, contacter une entreprise de maintenance qualifiée pour tester la qualité de l'eau et recommander un traitement approprié de l'eau. Une machine à glaçons extrêmement sale doit être démontée pour le nettoyage et la désinfection.

Nettoyant Manitowoc et Désinfectant Manitowoc sont les seuls produits approuvés pour les machine à glaçons Manitowoc.

##### **Attention**

Utiliser uniquement les nettoyant et désinfectant pour machine à glaçons approuvés par Manitowoc pour cette application (Nettoyant Manitowoc réf. 94-0546-3 et Désinfectant Manitowoc réf. 94-0565-3). Utiliser ces solutions sans tenir compte des instructions figurant sur les étiquettes est une violation de la loi fédérale. Lire et comprendre toutes les étiquettes imprimées sur les flacons avant utilisation.

##### **Attention**

Ne pas mélanger les solutions nettoyantes et désinfectantes. Utiliser ces solutions sans tenir compte des instructions figurant sur les étiquettes est une violation de la loi fédérale.

##### **Avertissement**

Porter des gants en caoutchouc et des lunettes de sécurité (et/ou un masque) lors de la manipulation du nettoyant ou du désinfectant pour machine à glaçons.

##### PROCÉDURE DE NETTOYAGE ET DE DÉSINFECTION

Cette procédure doit être suivie au moins une fois tous les six mois.

- La machine à glaçons et le bac doivent être démontés, nettoyés et désinfectés.
- Tous les glaçons produits pendant les procédures de nettoyage et de désinfection doivent être jetés.
- Élimine les dépôts minéraux des zones ou surfaces en contact direct avec l'eau.

##### PROCÉDURE DE NETTOYAGE DES MACHINES FORTEMENT ENTARTRÉES

Exécuter cette procédure en présence de l'un ou de tous les symptômes suivants.

- La machine à glaçons s'arrête sur Arrêt de sécurité.
- L'eau a une forte concentration de minéraux.
- La machine à glaçons n'a pas fait l'objet d'un entretien périodique.

##### NETTOYAGE EXTÉRIEUR

Nettoyer la zone entourant la machine à glaçons aussi souvent qu'il le faut pour maintenir sa propreté et un fonctionnement efficace. Utiliser des nettoyants conçus pour être utilisés sur des produits en acier inoxydable.

Éponger la poussière et la saleté sur l'extérieur de la machine à glaçons avec de l'eau et un savon doux. Essuyer à l'aide d'un chiffon propre et doux.

Éliminer les taches incrustées à l'aide d'un tampon métallique inoxydable. Ne jamais utiliser de tampons métalliques ou abrasifs et ce, pour ne pas rayer les panneaux.

## Procédure de nettoyage et de désinfection

### Attention

Utiliser uniquement les nettoyant et désinfectant pour machine à glaçons approuvés par Manitowoc pour cette application (Nettoyant Manitowoc réf. 94-0546-3 et Désinfectant Manitowoc réf. 94-0565-3). Utiliser ces solutions sans tenir compte des instructions figurant sur les étiquettes est une violation de la loi fédérale. Lire et comprendre toutes les étiquettes imprimées sur les flacons avant utilisation.

### PROCÉDURE DE NETTOYAGE

### Attention

Ne pas mélanger les solutions nettoyantes et désinfectantes. Utiliser ces solutions sans tenir compte des instructions figurant sur les étiquettes est une violation de la loi fédérale.

### Avertissement

Porter des gants en caoutchouc et des lunettes de sécurité (et/ou un masque) lors de la manipulation du nettoyant ou du désinfectant pour machine à glaçons.

Utiliser le nettoyant pour machine à glaçons pour éliminer le tartre et les dépôts minéraux. Le désinfectant pour machine à glaçons désinfecte et élimine les algues et tout film biologique.

**Étape 1 :** Retirer la porte avant et le capot supérieur. Ceci facilitera l'accès pour ajouter des solutions nettoyantes et désinfectantes.

**Étape 2 :** Régler l'interrupteur à bascule sur la position OFF une fois que les glaçons tombent de l'évaporateur à la fin d'un cycle de récupération des glaçons. Ou mettre l'interrupteur en position OFF et laisser fondre la glace hors de l'évaporateur.

### Attention

Ne jamais utiliser quoi que ce soit pour forcer la glace à sortir de l'évaporateur et ce, pour éviter tout dommage.

**Étape 3 :** Retirer tous les glaçons du bac/distributeur.

**Étape 4 :** Mettre l'interrupteur à bascule en position CLEAN. L'eau s'écoulera par le robinet d'évacuation d'eau et par l'évacuation d'eau. Attendre que le bac à eau se remplisse à nouveau et que l'eau s'écoule sur l'évaporateur, puis ajouter la quantité appropriée de nettoyant pour machine à glaçons.

Modèle	Quantité de nettoyant
S300/S320/S420	90 ml (3 onces)
S450/S500/S600/S850/ S1000/S1200	150 ml (5 onces)
S1400/S1600/S1800	265 ml (9 onces)
S3300	475 ml (16 onces)

**Étape 5 :** Attendre que le cycle de nettoyage soit terminé (approximativement \*35 minutes). Placer ensuite l'interrupteur à bascule en position OFF et couper l'alimentation de la machine à glaçons (et au distributeur le cas échéant).

REMARQUE : \*S3300 uniquement - 80 minutes.

### Avertissement

Couper l'alimentation de la machine à glaçons au niveau de la boîte de distribution électrique.

**Étape 6 :** Retirer les pièces à nettoyer.

**Se reporter aux procédures de retrait des pièces correspondant à la machine à glaçons. Passer à l'étape 7 une fois les pièces retirées.**

**Machines à glaçons à évaporateur unique - Page 57**

**Machines à glaçons à évaporateurs multiples - Page 58**

**Étape 7 :** Mélanger une solution nettoyante avec de l'eau chaude. Selon la quantité de dépôt minéral, une quantité plus importante de solution peut être requise. Utiliser le rapport dans le tableau ci-dessous pour mélanger suffisamment de solution pour nettoyer toutes les pièces.

Type de solution	Eau	Mélangée avec
Nettoyant	4 L (1 gallon)	500 ml (16 oz) de nettoyant

**Étape 8 :** Utiliser la moitié du mélange nettoyant/eau pour nettoyer tous les composants. La solution nettoyante mousse lorsqu'elle est en contact avec du tartre ou des dépôts minéraux ; lorsque la formation de mousse s'arrête, utiliser une brosse en nylon à poils souples, une éponge ou un chiffon (PAS une brosse métallique) pour nettoyer soigneusement les pièces. Faire tremper les pièces pendant 5 minutes (15 - 20 minutes pour les pièces fortement entartrées). Rincer tous les composants à l'eau claire.

**Étape 9 :** Pendant le trempage des composants, utiliser la moitié de la solution nettoyant/eau pour nettoyer toutes les surfaces de zone alimentaire de la machine à glaçons et du bac (ou du distributeur). Utiliser une brosse en nylon ou un chiffon pour nettoyer les zones suivantes de la machine à glaçons :

- Parois latérales
- Base (zone au-dessus du bac à eau)
- Pièces en plastique de l'évaporateur – y compris les parties supérieures, inférieures et latérales
- Bac ou distributeur

Rincer complètement toutes les zones à l'eau claire.

#### PROCÉDURE DE DÉSINFECTION

**Étape 10 :** Mélanger une solution désinfectante avec de l'eau chaude.

Type de solution	Eau	Mélangée avec
Désinfectant	23 L (6 gallons)	120 ml (4 oz) de désinfectant

**Étape 11 :** Utiliser la moitié de la solution désinfectant/eau pour désinfecter tous les composants retirés. Utiliser un flacon pulvérisateur pour appliquer abondamment la solution sur toutes les surfaces des pièces retirées ou faire tremper les pièces retirées dans la solution désinfectant/eau. Ne pas rincer les pièces après la désinfection.

**Étape 12 :** Utiliser la moitié de la solution désinfectant/eau pour désinfecter toutes les surfaces de zone alimentaire de la machine à glaçons et du bac (ou du distributeur). Utiliser un flacon pulvérisateur pour appliquer abondamment la solution. Lors de la désinfection, faire particulièrement attention aux zones suivantes :

- Parois latérales
- Base (zone au-dessus du bac à eau)
- Pièces en plastique de l'évaporateur – y compris les parties supérieures, inférieures et latérales
- Bac ou distributeur

Ne pas serrer les zones désinfectées.

**Étape 13 :** Remettre tous les composants retirés en place.

**Étape 14 :** Attendre 30 minutes.

**Étape 15 :** Remettre la machine à glaçons sous tension et placer l'interrupteur à bascule en position CLEAN.

**Étape 16 :** Attendre que le bac à eau se remplisse à nouveau et que l'eau s'écoule sur l'évaporateur (environ 3 minutes). Ajouter la quantité appropriée de désinfectant pour machine à glaçons Manitowoc dans le bac à eau en la versant entre le rideau d'eau et l'évaporateur.

Modèle	Quantité de désinfectant
S300/S320/S420	90 ml (3 onces)
S450/S500/S600/S850/ S1000/S1200	90 ml (3 onces)
S1400/S1600/S1800	180 ml (6 onces)
S3300	740 ml (25 onces)

**Étape 17 :** Placer l'interrupteur à bascule en position ICE et remettre le panneau avant en place. La machine à glaçons arrêtera la fabrication de glaçons après le cycle de désinfection (environ 35 minutes, S3300 - 80 minutes).

## Procédure de nettoyage des machines à glaçons fortement entartrées

Les machines à glaçons qui sont fortement entartrées ou qui n'ont pas été nettoyées régulièrement devront faire l'objet de cette procédure.

Nettoyer et désinfecter la machine à glaçons tous les six mois pour un fonctionnement efficace. Si la machine à glaçons requiert un nettoyage et une désinfection plus fréquents, contacter une entreprise de maintenance qualifiée pour tester la qualité de l'eau et recommander un traitement approprié de l'eau. La machine à glaçons doit être démontée pour le nettoyage et la désinfection.

### Attention

Utiliser uniquement les nettoyant et désinfectant pour machine à glaçons approuvés par Manitowoc pour cette application (Nettoyant Manitowoc réf. 94-0546-3 et Désinfectant Manitowoc réf. 94-0565-3). Utiliser ces solutions sans tenir compte des instructions figurant sur les étiquettes est une violation de la loi fédérale. Lire et comprendre toutes les étiquettes imprimées sur les flacons avant utilisation.

## PROCÉDURE DE NETTOYAGE

### Attention

Ne pas mélanger les solutions nettoyantes et désinfectantes. Utiliser ces solutions sans tenir compte des instructions figurant sur les étiquettes est une violation de la loi fédérale.

### Avertissement

Porter des gants en caoutchouc et des lunettes de sécurité (et/ou un masque) lors de la manipulation du nettoyant ou du désinfectant pour machine à glaçons.

Utiliser le nettoyant pour machine à glaçons pour éliminer le tartre et les dépôts minéraux. Le désinfectant pour machine à glaçons désinfecte et élimine les algues et tout film biologique.

**Étape 1 :** Régler l'interrupteur à bascule sur la position OFF une fois que les glaçons tombent de l'évaporateur à la fin d'un cycle de récupération des glaçons. Ou mettre l'interrupteur en position OFF et laisser fondre la glace hors de l'évaporateur.

### Attention

Ne jamais utiliser quoi que ce soit pour forcer la glace à sortir de l'évaporateur et ce, pour éviter tout dommage.

**Étape 2 :** Retirer le couvercle supérieur. Ceci facilitera l'accès pour ajouter des solutions nettoyantes et désinfectantes.

**Étape 3 :** Retirer tous les glaçons du bac.

**Étape 4 :** Mettre l'interrupteur à bascule en position CLEAN. L'eau s'écoulera par le robinet d'évacuation d'eau et par l'évacuation d'eau. Attendre que le bac à eau se remplisse à nouveau et que l'eau s'écoule sur l'évaporateur, puis ajouter la quantité appropriée de nettoyant pour machine à glaçons.

Modèle	Quantité de nettoyant
S300/S320/S420	90 ml (3 onces)
S450/S500/S600/S850/ S1000/S1200	150 ml (5 onces)
S1400/S1600/S1800	265 ml (9 onces)
S3300	475 ml (16 onces)

**Étape 5 :** Attendre que le cycle de nettoyage soit terminé (approximativement \*35 minutes). Placer ensuite l'interrupteur à bascule en position OFF et couper l'alimentation de la machine à glaçons (et au distributeur le cas échéant).

REMARQUE : \*S3300 uniquement - 80 minutes.

### Avertissement

Couper l'alimentation de la machine à glaçons au niveau de la boîte de distribution électrique.

**Étape 6 :** Retirer les pièces à nettoyer.

**Se reporter aux procédures de retrait des pièces correspondant à la machine à glaçons.**

**Machines à glaçons à évaporateur unique - Page 57**

**Machines à glaçons à évaporateurs multiples - Page 58**

**Étape 7 :** Mélanger une solution nettoyante avec de l'eau chaude. Selon la quantité de dépôt minéral, une quantité plus importante de solution peut être requise. Utiliser le rapport dans le tableau ci-dessous pour mélanger suffisamment de solution pour nettoyer toutes les pièces.

Type de solution	Eau	Mélangée avec
Nettoyant	4 L (1 gallon)	500 ml (16 oz) de nettoyant

**Étape 8 :** Utiliser la moitié du mélange nettoyant/eau pour nettoyer tous les composants. La solution nettoyante mousse lorsqu'elle est en contact avec du tartre ou des dépôts minéraux ; lorsque la formation de mousse s'arrête, utiliser une brosse en nylon à poils souples, une éponge ou un chiffon (PAS une brosse métallique) pour nettoyer soigneusement les pièces. Faire tremper les pièces pendant 5 minutes (15 - 20 minutes pour les pièces fortement entartrées). Rincer tous les composants à l'eau claire.

**Étape 9 :** Pendant le trempage des composants, utiliser la moitié de la solution nettoyant/eau pour nettoyer toutes les surfaces de zone alimentaire de la machine à glaçons et du bac (ou du distributeur). Utiliser une brosse en nylon ou un chiffon pour nettoyer les zones suivantes de la machine à glaçons :

- Parois latérales
- Base (zone au-dessus du bac à eau)
- Pièces en plastique de l'évaporateur – y compris les parties supérieures, inférieures et latérales
- Bac ou distributeur

Rincer complètement toutes les zones à l'eau claire.

#### PROCÉDURE DE DÉSINFECTION

**Étape 10 :** Mélanger une solution désinfectante avec de l'eau chaude.

Type de solution	Eau	Mélangée avec
Désinfectant	23 L (6 gallons)	120 ml (4 oz) de désinfectant

**Étape 11 :** Utiliser la moitié de la solution désinfectant/eau pour désinfecter tous les composants retirés. Utiliser un chiffon ou une éponge pour appliquer abondamment la solution sur toutes les surfaces des pièces retirées ou faire tremper les pièces retirées dans la solution désinfectant/eau. Ne pas rincer les pièces après la désinfection.

**Étape 12 :** Utiliser la moitié de la solution désinfectant/eau pour désinfecter toutes les surfaces de zone alimentaire de la machine à glaçons et du bac (ou du distributeur). Utiliser un chiffon ou une éponge pour appliquer abondamment la solution. Lors de la désinfection, faire particulièrement attention aux zones suivantes :

- Parois latérales
- Base (zone au-dessus du bac à eau)
- Pièces en plastique de l'évaporateur – y compris les parties supérieures, inférieures et latérales
- Bac ou distributeur

Ne pas serrer les zones désinfectées.

**Étape 13 :** Remettre tous les composants retirés en place.

**Étape 14 :** Remettre la machine à glaçons sous tension et placer l'interrupteur à bascule en position CLEAN.

**Étape 15 :** Attendre deux minutes environ ou jusqu'à ce que l'eau commence à s'écouler sur l'évaporateur. Ajouter la quantité appropriée de désinfectant pour machine à glaçons Manitowoc dans le bac à eau en la versant entre le rideau d'eau et l'évaporateur.

Modèle	Quantité de désinfectant
S300/S320/S420	90 ml (3 onces)
S450/S500/S600/S850/ S1000/S1200	90 ml (3 onces)
S1400/S1600/S1800	180 ml (6 onces)
S3300	740 ml (25 onces)

**Étape 16 :** La machine à glaçons s'arrête après le cycle de désinfection (\*35 minutes environ). Placer l'interrupteur à bascule en position OFF et couper l'alimentation de la machine à glaçons.

\*S3300 uniquement - 80 minutes.

#### Avertissement

Couper l'alimentation de la machine à glaçons au niveau de la boîte de distribution électrique.

**Étape 17 :** Se reporter à l'étape 6 et démonter les composants. Après le démontage, passer à l'étape 18.

**Étape 18 :** Mélanger une solution désinfectante avec de l'eau chaude.

Type de solution	Eau	Mélangée avec
Désinfectant	23 L (6 gallons)	120 ml (4 oz) de désinfectant

**Étape 19 :** Utiliser la moitié de la solution désinfectant/eau pour désinfecter tous les composants retirés. Utiliser un chiffon ou une éponge pour appliquer abondamment la solution sur toutes les surfaces des pièces retirées ou faire tremper les pièces retirées dans la solution désinfectant/eau. Ne pas rincer les pièces après la désinfection.

**Étape 20 :** Utiliser la moitié de la solution désinfectant/eau pour désinfecter toutes les surfaces de zone alimentaire de la machine à glaçons et du bac (ou du distributeur). Utiliser un chiffon ou une éponge pour appliquer abondamment la solution. Lors de la désinfection, faire particulièrement attention aux zones suivantes :

- Parois latérales
- Base (zone au-dessus du bac à eau)
- Pièces en plastique de l'évaporateur – y compris les parties supérieures, inférieures et latérales
- Bac ou distributeur

Ne pas serrer les zones désinfectées.

**Étape 21 :** Installer les pièces qui ont été retirées, rétablir l'alimentation et placer l'interrupteur à bascule en position ICE.



## Retrait des pièces pour le nettoyage/la désinfection

### Machines à glaçons à évaporateur unique

#### A. Retrait du rideau d'eau

- Plier doucement le rideau en son centre et le retirer par la droite.
- Désengager la cheville gauche.

#### B. Retrait de la sonde d'épaisseur de glaçons

- Comprimer l'axe d'articulation sur le dessus de la sonde d'épaisseur des glaçons.
- Faire pivoter la sonde d'épaisseur de glaçons pour désengager une cheville puis l'autre. La sonde d'épaisseur des glaçons peut être nettoyée à ce stade sans être complètement retirée. En cas de retrait complet, débrancher le câble de la sonde d'épaisseur des glaçons du tableau de commande.

#### C. Retrait de la gouttière d'évaporateur ou de l'inverseur d'eau du bas de l'évaporateur

- Desserrer la vis à oreilles sur le côté gauche de la gouttière.
- Faire descendre le côté gauche de la gouttière tout en la tirant vers la gauche. Continuer jusqu'à ce que le tube de sortie se désengage du côté droit.

#### D. Retrait du bac à eau

- Appuyer sur les languettes sur la droite et la gauche du bac à eau.
- Laisser le bac à eau descendre en le tirant vers l'avant pour désengager les chevilles arrière.

#### E. Retrait de la sonde du niveau d'eau

- Tirer la sonde de niveau d'eau vers le bas pour la désengager.

- Abaisser la sonde de niveau d'eau jusqu'à ce que le connecteur de câble soit visible.
- Débrancher le câble de la sonde de niveau d'eau.
- Retirer la sonde de niveau d'eau de la machine à glaçons.

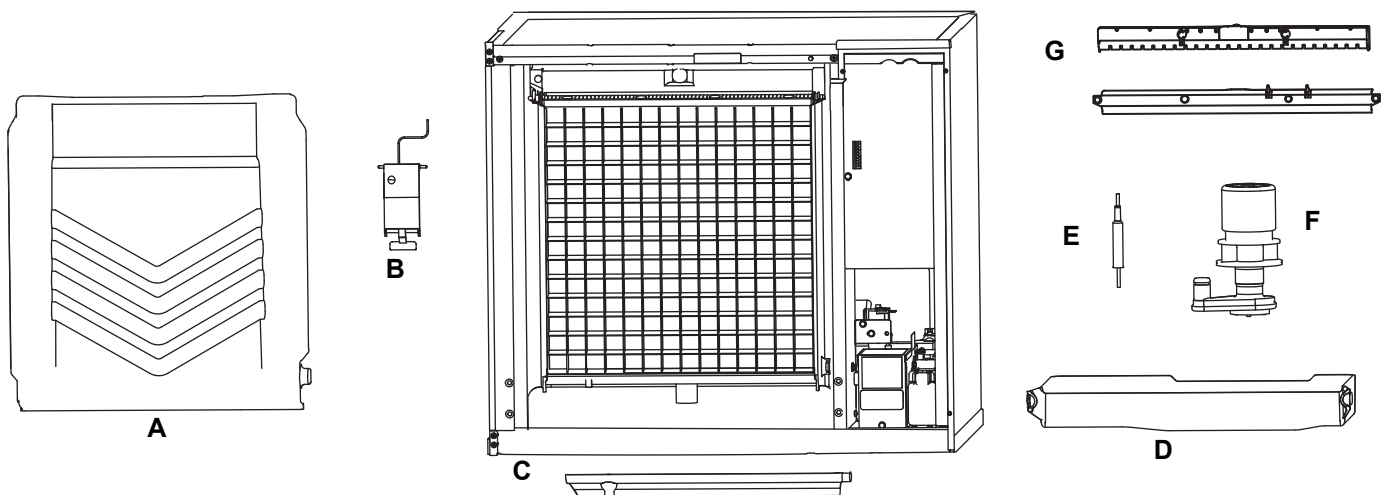
#### F. Retrait de la pompe à eau

- Saisir la pompe et la tirer vers le bas sur l'ensemble de pompe jusqu'à ce qu'elle se désengage et que le connecteur électrique soit visible.
- Débrancher le connecteur électrique.
- Retirer l'ensemble de pompe à eau de la machine à glaçons.
- Ne pas faire tremper le moteur de la pompe à eau dans une solution nettoyante ou désinfectante.

#### G. Retrait du tube de distribution d'eau

REMARQUE : Les vis à oreilles du tube de distribution sont maintenues en place pour éviter toute perte. Desserrer les vis à oreilles sans les sortir du tube de distribution.

- Desserrer les deux vis extérieures (ne pas les retirer complètement étant donné qu'elles sont maintenues en place pour éviter toute perte) et tirer le tube de distribution vers l'avant pour libérer le joint coulissant.
- Démontez le tube de distribution en desserrant les deux (2) vis à oreilles du milieu et en séparant le tube de distribution en deux parties.



**Machines à glaçons à évaporateurs multiples****A. Retrait de l'écran de l'évaporateur avant**

- Retirer quatre connecteurs quart-de-tour.
- Retrait de l'écran anti-éclaboussures.

**B. Retirer les couvercles supérieurs des évaporateurs gauche et droit**

- Retirer deux vis à oreilles du devant de chaque couvercle supérieur d'évaporateur.
- Soulever le devant du couvercle, tirer vers l'avant pour le retirer.

**C. Retrait des écrans anti-éclaboussures**

REMARQUE : Chaque évaporateur est muni d'un écran anti-éclaboussures qui doit être retiré – quatre écrans anti-éclaboussures au total.

- Saisir le centre supérieur des écrans anti-éclaboussures.
- Les soulever puis les sortir.

**D. Retrait de la sonde d'épaisseur de glaçons**

- Comprimer l'axe d'articulation sur le dessus de la sonde d'épaisseur des glaçons.
- Faire pivoter la sonde d'épaisseur de glaçons pour désengager une cheville puis l'autre. La sonde d'épaisseur des glaçons peut être nettoyée à ce stade sans être complètement retirée. En cas de retrait complet, débrancher le câble de la sonde d'épaisseur des glaçons du tableau de commande.

**E. Retrait de l'ensemble de pompe à eau**

- Débrancher le tube de distribution en vinyle des deux pompes à eau.
- Débrancher la pompe à eau et les raccordements électriques de la sonde de niveau d'eau.
- Une fois les câbles déconnectés, retirer les deux vis à oreilles et soulever l'ensemble de pompe à eau pour le sortir de la machine à glaçons.

- Retirer les vis à oreilles maintenant les pompes à eau (2 pour chaque pompe) et retirer les pompes à eau. Ne pas immerger le moteur de la pompe à eau dans une solution nettoyante ou désinfectante.
- Retirer la sonde de niveau d'eau du boîtier de l'ensemble.

**F. Retrait du bac à eau**

- Tirer le bac à eau vers l'avant pour le retirer.

**G. Retrait des tubes de distribution**

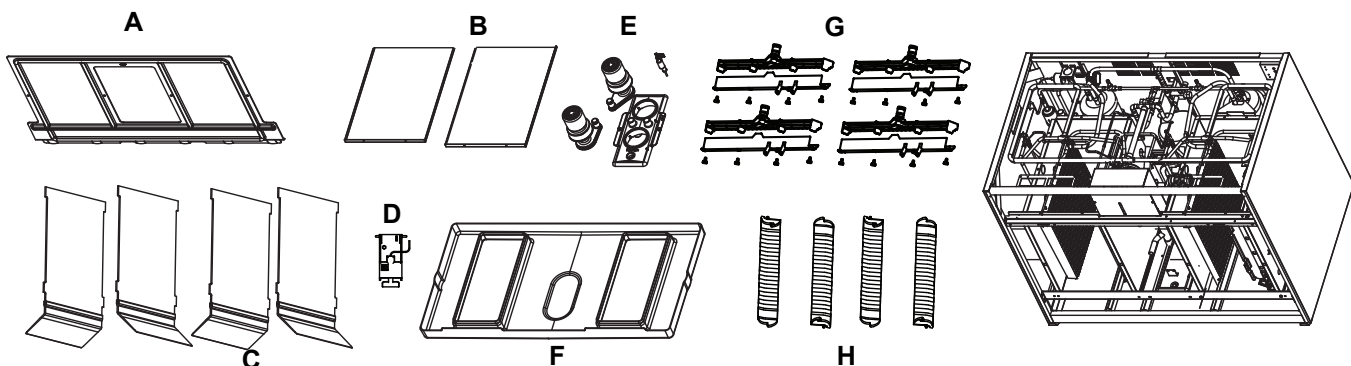
REMARQUE : Chaque évaporateur est muni d'un tube de distribution qui doit être retiré – quatre tubes de distribution au total.

- Les vis à oreilles du tube de distribution sont maintenues en place pour éviter toute perte. Desserrer les vis à oreilles sans les sortir du tube de distribution.
- Desserrer les deux vis extérieures et tirer le tube de distribution vers l'avant pour libérer le joint coulissant.
- Démontez le tube de distribution en desserrant les deux (2) vis à oreilles du milieu et en séparant le tube de distribution en deux parties.

**H. Retrait des amortisseurs de glaçons**

REMARQUE : Chaque évaporateur est muni d'un amortisseur de glaçons qui doit être retiré – quatre amortisseurs de glaçons au total.

- Saisir l'amortisseur de glaçons et appuyer sur le support de montage arrière.
- Appuyer sur le support de montage avant avec le pouce.
- Tirer l'amortisseur de glaçons vers le bas lorsque la cheville de l'amortisseur de glaçons avant se désengage.



## Nettoyage extérieur

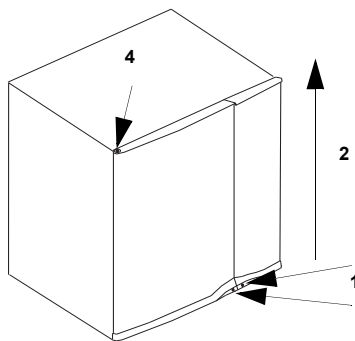
Nettoyer la zone entourant la machine à glaçons aussi souvent qu'il le faut pour maintenir sa propreté et un fonctionnement efficace. Utiliser des nettoyants conçus pour être utilisés sur des produits en acier inoxydable.

Éponger la poussière et la saleté sur l'extérieur de la machine à glaçons avec de l'eau et un savon doux. Essuyer à l'aide d'un chiffon propre et doux.

Éliminer les taches incrustées à l'aide d'un tampon métallique inoxydable. Ne jamais utiliser de tampons métalliques ou abrasifs et ce, pour ne pas rayer les panneaux.

## Retrait des portes

1. À l'aide d'un tournevis cruciforme, desserrer les deux vis maintenant les portes gauche et droite. Ne pas les retirer, elles sont fixées pour éviter de les perdre.
2. Modèles de 30 pouces et de 48 pouces (76,2 cm et 121,9 cm) : Soulever la porte avant droite pour la retirer (les machines à glaçons de 22 pouces [56 cm] ont une seule porte, soulever pour retirer toute la porte).



**Retrait des portes**

3. Ouvrir la porte avant gauche à 45 degrés.
4. Soutenir de la main droite, enfoncer la cheville supérieure, basculer le haut de la porte vers l'avant et la soulever de la cheville inférieure pour la retirer.

## Nettoyage du condenseur

### GÉNÉRALITÉS

#### **⚠ Avertissement**

Débrancher l'alimentation électrique de la partie principale de la machine à glaçons et l'unité de condensation à distance au niveau des interrupteurs de distribution électrique avant de nettoyer le condenseur.

Un condenseur sale restreint le débit d'air, entraînant ainsi des températures de fonctionnement excessivement élevées. Ce qui réduit la production de glaçons et raccourcit la durée de vie des composants.

- Nettoyer le condenseur au moins tous les six mois.

#### **⚠ Avertissement**

Les ailettes du condenseur sont coupantes. Faire attention en les nettoyant.

- Éclairer une lampe de poche dans le condenseur pour inspecter toute présence éventuelle de saleté entre les ailettes.
- Souffler à l'air comprimé ou rincer à l'eau de l'intérieur vers l'extérieur (sens opposé du débit d'air).
- S'il reste de la saleté, contacter un agent de service pour nettoyer le condenseur.

## Mise hors service/Hivérisation

1. Nettoyer et désinfecter la machine à glaçons.
2. Mettre l'interrupteur ICE/OFF/CLEAN sur OFF.
3. Couper l'alimentation en eau, débrancher et vider la conduite d'eau de fabrication de glaçons entrante à l'arrière de la machine à glaçons et vider le bac à eau.
4. Mettre la machine à glaçons sous tension, attendre une minute pour que le robinet d'arrivée d'eau s'ouvre et souffler de l'air comprimé dans les ouvertures de l'eau entrante et de l'évacuation à l'arrière de la machine à glaçons pour retirer toute l'eau.
5. Mettre l'interrupteur ICE/OFF/CLEAN sur OFF et débrancher l'alimentation électrique au niveau du disjoncteur ou de l'interrupteur de service électrique.
6. Remplir un flacon pulvérisateur de désinfectant et vaporiser toutes les surfaces de zone alimentaire intérieures. Ne pas rincer et laisser sécher à l'air.
7. Remettre tous les panneaux en place.

## Section 5

### Service clientèle

#### Liste de vérification

En cas de problème pendant le fonctionnement de la machine à glaçons, suivre la liste de vérification ci-dessous avant de contacter le service technique. Les réglages périodiques et procédures d'entretien ne sont pas couverts par la garantie.

Problème	Cause possible	Mesure corrective
La machine à glaçons ne fonctionne pas.	Absence d'alimentation électrique à la machine à glaçons et/ou à l'unité de condensation.	Remplacer le fusible/réinitialiser le disjoncteur/activer l'interrupteur principal.
	Déclenchement de coupure haute pression.	Nettoyer le serpentin du condenseur. (voir Section 4)
	Interrupteur à bascule ICE/OFF/CLEAN mal réglé.	Mettre l'interrupteur à bascule en position ICE.
	Le rideau d'eau est coincé ouvert.	Le rideau d'eau doit être installé et osciller librement. (voir Section 4)
	Les robinets de service du récepteur à distance et/ou les robinets d'arrêt des conduites de liquide/d'aspiration sont fermés.	Ouvrir le ou les robinets. (voir Section 2)
La machine à glaçons s'arrête et peut être remise en marche en déplaçant l'interrupteur à bascule sur OFF puis sur ICE.	La fonction de limite de sécurité arrête la machine à glaçons.	Se reporter à « Fonction de limite de sécurité » à la page suivante.
La machine à glaçons ne libère pas les glaçons ou est lente à récupérer les glaçons.	La machine à glaçons est sale.	Nettoyer et désinfecter la machine à glaçons. (voir Section 4)
	La machine à glaçons n'est pas nivelée.	Niveler la machine à glaçons. (voir Section 2)
	Température ambiante faible autour de la partie principale de la machine à glaçons.	La température d'air doit être au moins de 1,6 °C (35 °F).
	La commande de cycle de ventilateur ne met pas le moteur de ventilateur du moteur sous tension.	Vérifier que la pression est inférieure au point de consigne de coupure, remplacer la commande de cycle de ventilateur.
La machine à glaçons ne cycle pas en mode de récupération.	Le verrouillage de temps de congélation de six minutes n'est pas encore arrivé à échéance.	Attendre que le verrouillage de congélation arrive à échéance.
	La sonde d'épaisseur des glaçons est sale.	Nettoyer et désinfecter la machine à glaçons. (voir Section 4)
	La sonde d'épaisseur des glaçons est débranchée.	Raccorder le fil.
	La sonde d'épaisseur des glaçons est déréglée.	Régler la sonde d'épaisseur de glaçons. (voir Section 3)
	Remplissage de glaçon irrégulier (mince sur le dessus de l'évaporateur).	Vérifier la présence d'un niveau d'eau suffisant dans le bac du puisard. Contacter une entreprise de maintenance qualifiée pour inspecter le système de réfrigération.
La qualité des glaçons est médiocre (mous ou opaques).	Qualité médiocre de l'eau entrante.	Contacteur une entreprise de maintenance qualifiée pour tester la qualité de l'eau entrante et faire les recommandations de filtre appropriées.
	La filtration de l'eau est médiocre.	Changer le filtre.
	La machine à glaçons est sale.	Nettoyer et désinfecter la machine à glaçons. (voir Section 4)
	Le robinet de vidange d'eau ne fonctionne pas.	Démonter et nettoyer le robinet de vidange d'eau. (voir Section 4)
	L'adoucisseur d'eau ne fonctionne pas correctement (le cas échéant).	Réparer l'adoucisseur d'eau.

Problème	Cause possible	Mesure corrective
La machine à glaçons produit des glaçons creux et incomplets, ou le motif de remplissage de glaçons sur l'évaporateur est incomplet.	La sonde d'épaisseur des glaçons est déréglée.	Régler la sonde d'épaisseur de glaçons. (voir Section 4)
	Le niveau du bac à eau est trop bas.	Vérifier la sonde du niveau d'eau pour tout dommage éventuel. (voir Section 3)
	La crépine du robinet d'arrivée d'eau est sale.	Retirer le robinet d'arrivée d'eau et nettoyer la crépine. (voir Section 4)
	La filtration de l'eau est médiocre.	Changer le filtre.
	Eau d'arrivée chaude.	Raccorder la machine à glaçons à une alimentation en eau froide. (voir Section 2)
	Le robinet d'arrivée d'eau ne fonctionne pas.	Remplacer le robinet d'arrivée d'eau.
	Pression d'eau entrante incorrecte.	La pression d'eau doit être se trouver entre 1,4 bar et 5,5 bars (20 et 80 psi).
	La machine à glaçons n'est pas nivelée.	Niveler la machine à glaçons. (voir Section 2)
Faible capacité de glaçons.	La crépine du robinet d'arrivée d'eau est sale.	Retirer le robinet d'arrivée d'eau et nettoyer la crépine. (voir Section 4)
	L'alimentation d'eau entrante est fermée.	Ouvrir le robinet de service d'eau.
	Le robinet d'arrivée d'eau est coincé ouvert ou fuit.	Placer l'interrupteur à bascule en position OFF, si l'eau continue à entrer dans le bas à eau, remplacer le robinet d'arrivée d'eau.
	Le condenseur est sale.	Nettoyer le condenseur. (voir Section 4)
	Une température d'air élevée entre dans le condenseur.	La température d'air ne doit pas être supérieure à 39 °C (120 °F)
	Le compresseur d'air auxiliaire de récupération ne fonctionne pas.	Contactez le service technique.

### Fonction de limite de sécurité

En plus des contrôles de sécurité standard, tels que la coupure haute pression, la machine à glaçons Manitowoc comporte des limites de sécurité intégrées qui arrêteront la machine à glaçons dans l'éventualité de conditions susceptibles de provoquer une défaillance de composants principaux.

Avant de contacter le service technique, redémarrer la machine à glaçons en respectant la procédure suivante :

1. Mettre l'interrupteur ICE/OFF/CLEAN sur OFF puis de nouveau sur ICE.
  - A. Si la limite de sécurité a arrêté la machine à glaçons, celle-ci se remettra en marche après un court délai. Passer à l'étape 2.
  - B. Si la machine à glaçons ne se remet pas en marche, voir la section « La machine à glaçons ne fonctionne pas » à la page précédente.
2. Laisser fonctionner la machine à glaçons pour voir si la condition se répète.
  - A. Si la machine à glaçons s'arrête à nouveau, c'est que la condition s'est répétée. Contacter le service technique.
  - B. Si la machine à glaçons continue de fonctionner c'est que la condition s'est rectifiée d'elle-même. Laisser la machine à glaçons continuer à fonctionner.

## Garantie commerciale de la machine à glaçons

Manitowoc Ice, Inc. (ci-après appelée la « SOCIÉTÉ ») garantit, pendant une période de trente-six mois à compter de la date d'installation (exception faite de la limitation ci-dessous), que les nouvelles machines à glaçons fabriquées par la SOCIÉTÉ sont exemptes de tout défaut de matériaux ou de fabrication à condition d'une utilisation et d'entretien normaux et appropriés tels que spécifiés par la SOCIÉTÉ, et avec une installation et une mise en service appropriées conformes au manuel d'instructions fourni avec la machine à glaçons. La garantie de la SOCIÉTÉ ci-après relative au compresseur s'applique pendant vingt-quatre mois supplémentaires, à l'exclusion des frais de main d'œuvre, et relative à l'évaporateur pendant vingt-quatre mois supplémentaires, y compris les frais de main d'œuvre.

L'obligation de la SOCIÉTÉ en vertu de la présente garantie est limitée à la réparation ou au remplacement des pièces, des composants ou des ensembles qui, selon la SOCIÉTÉ, sont défectueux. La présente garantie est également limitée au coût des pièces, composants ou ensembles, et aux frais de main d'œuvre au salaire de base sur le lieu du service technique.

Les tarifs de taux de base et horaires, tels que publiés de temps à autre par la SOCIÉTÉ, s'appliquent à toutes les procédures de service. Les frais supplémentaires, y compris mais sans s'y limiter, le temps de déplacement, la majoration pour travail supplémentaire, le coût des matériaux, l'accès à la machine à glaçons ou son retrait, ou encore l'expédition, sont à la charge du propriétaire, tout comme le sont l'entretien, les réglages, le nettoyage et les achats de glaçons. Le travail couvert par la présente garantie doit être effectué par un représentant du service technique sous contrat de la SOCIÉTÉ ou par un organisme de service de réfrigération tel que qualifié et homologué par le distributeur local de la SOCIÉTÉ. La responsabilité de la SOCIÉTÉ en vertu de la présente garantie ne sera en aucun cas supérieure au prix d'achat réel payé par le client pour la machine à glaçons.

La garantie précédente ne s'appliquera pas à (1) toute pièce ou tout ensemble qui auront été altérés, modifiés ou changés ; (2) toute pièce ou tout ensemble qui auront été soumis à une mauvaise utilisation, un abus, une négligence ou des accidents ; (3) toute machine à glaçons qui aura été installée et/ou entretenue à l'encontre des instructions techniques fournies par la SOCIÉTÉ ; ou (4) toute machine à glaçons qui aura été initialement installée plus de cinq ans à compter de la date de production du numéro de série. La présente garantie ne s'applique pas si le système de réfrigération de la machine à glaçons est modifié par un condenseur, un récupérateur de chaleur ou d'autres pièces ou ensembles non fabriqués par la SOCIÉTÉ, sauf en cas de l'approbation écrite par la SOCIÉTÉ de ces modifications pour des emplacements spécifiques.

**LA PRÉSENTE GARANTIE REMPLACE TOUTES LES AUTRES GARANTIES DE TOUTE SORTE, EXPRESSES OU TACITES, Y COMPRIS TOUTE GARANTIE IMPLICITE DE QUALITÉ MARCHANDE OU D'ADAPTATION À UN USAGE PARTICULIER.** En aucun cas, la SOCIÉTÉ ne peut être tenue responsable des dommages spéciaux, indirects, accessoires ou consécutifs. Lors de l'échéance de la période de garantie, la responsabilité de la SOCIÉTÉ en vertu de la présente garantie viendra à échéance. La garantie précédente constitue la seule responsabilité de la SOCIÉTÉ et le recours exclusif du client ou de l'utilisateur.

Pour assurer un service de garantie prompt et permanent, la carte de garantie doit être remplie et envoyée à la SOCIÉTÉ dans les cinq (5) jours suivant la date d'installation.

Remplir ce qui suit et conserver cette information :

Distributeur/Revendeur \_\_\_\_\_

Référence de modèle \_\_\_\_\_ Numéro de série \_\_\_\_\_

Date d'installation \_\_\_\_\_

### MANITOWOC ICE, INC.

2110 So. 26th St., P.O. Box 1720, Manitowoc, WI 54221-1720 USA

Téléphone : 920-682-0161 • Fax : 920-683-7585

Site Web - [www.manitowocice.com](http://www.manitowocice.com)

Formulaire 80-0375-3 Rév. 01-02

## Garantie limitée résidentielle de la machine à glaçons

### CE QUE COUVRE LA PRÉSENTE GARANTIE LIMITÉE

Sous réserve des exclusions et limitations ci-dessous, Manitowoc Foodservice (« Manitowoc ») garantit au client d'origine toute nouvelle machine à glaçons fabriquée par Manitowoc (le « Produit ») contre tout défaut de matériau ou vice de fabrication pendant la période de garantie décrite ci-dessous dans des conditions normales d'utilisation et d'entretien, et suite à une installation et une mise en service correctes conformément au manuel d'instructions fourni avec le Produit.

### PÉRIODE DE CETTE GARANTIE LIMITÉE

<u>Produit couvert</u>	<u>Période de garantie</u>
Machine à glaçons	Douze (12) mois à compter de la date de vente

### PERSONNES COUVERTES PAR CETTE GARANTIE LIMITÉE

La présente garantie limitée s'applique uniquement au client d'origine du Produit et n'est pas transférable.

### OBLIGATIONS DE MANITOWOC ICE DANS LE CADRE DE CETTE GARANTIE LIMITÉE

En cas de défaut et de réception par Manitowoc d'une déclaration de dommage valide avant l'expiration de la période de garantie, Manitowoc doit, sur sa décision : (1) réparer le Produit à ses frais, y compris les frais de main d'œuvre standard en heures normales, (2) remplacer le Produit par un nouveau produit ou un produit équivalent à l'original ou (3) rembourser le prix d'achat du Produit. Les pièces de rechange sont garanties pendant 90 jours ou pour le reste de la période de garantie d'origine, si elle est plus longue. Les éléments précédents constituent l'unique obligation de Manitowoc et le recours exclusif du client en cas de rupture de la présente garantie limitée. La responsabilité de Manitowoc dans le cadre de la présente garantie limitée se limite au prix d'achat du Produit. Toutes dépenses supplémentaires, y compris mais sans s'y limiter, le temps de déplacement pour service, les frais de main d'œuvre d'heures supplémentaires ou de majoration, l'accessibilité au Produit ou son retrait, ou l'expédition sont à la charge du client.

### OBTENTION DE SERVICE DE GARANTIE

Pour obtenir un service de garantie ou toute information concernant le Produit, veuillez nous contacter :

MANITOWOC FOODSERVICE

2110 So. 26th St.

P.O. Box 1720,

Manitowoc, WI 54221-1720 USA

Téléphone : 920-682-0161 Fax : 920-683-7585

www.manitowocice.com

### CE QUI N'EST PAS COUVERT

La présente garantie limitée ne couvre pas, et laisse à votre seule responsabilité, les frais de ce qui suit : (1) maintenance périodique ou de routine, (2) réparation ou remplacement du Produit ou des pièces suite à une usure normale, (3) défauts ou dommages du Produit ou des pièces du fait d'une mauvaise utilisation, d'une utilisation abusive, de négligences ou d'accidents, (4) défauts ou dommages du Produit ou des pièces du fait d'altérations, de modifications ou de changements incorrects ou non autorisés et (5) défauts ou dommages d'un Produit non installé et/ou maintenu conformément au manuel d'instructions ou aux spécifications techniques fournis par Manitowoc. Dans la mesure où ces exclusions de garantie dépendent des lois nationales, il est possible qu'elles ne vous concernent pas.

SAUF TEL QU'INDIQUÉ PAR LA PHRASE SUIVANTE, LA PRÉSENTE GARANTIE LIMITÉE REPRÉSENTE LA SEULE ET UNIQUE GARANTIE DE MANITOWOC CONCERNANT LE PRODUIT. TOUTES LES GARANTIES TACITES SONT STRICTEMENT LIMITÉES À LA DURÉE DE LA GARANTIE LIMITÉE S'APPLIQUANT AUX PRODUITS, COMME INDIQUÉ PRÉCÉDEMMENT, Y COMPRIS, SANS TOUTEFOIS S'Y LIMITER, TOUTE GARANTIE DE QUALITÉ MARCHANDE OU D'ADAPTATION À UN USAGE PARTICULIER.

Certains pays ne permettant pas de limitations sur la durée d'une garantie tacite, il est possible que la limitation ci-dessus ne vous concerne pas.

EN AUCUN CAS, MANITOWOC OU UNE DE SES FILIALES, NE PEUT ÊTRE TENUE POUR RESPONSABLE DU CLIENT OU DE TOUTE AUTRE PERSONNE EN CAS DE DOMMAGES ACCESSOIRES, CONSÉCUTIFS OU PARTICULIERS DE TOUTE NATURE (Y COMPRIS, MAIS SANS TOUTEFOIS S'Y LIMITER, UNE PERTE DE PROFITS, DE REVENUS OU COMMERCIALE) DÉCOULANT, OU LIÉS DE QUELQUE MANIÈRE QUE CE SOIT, AU PRODUIT, À UNE RUPTURE DE LA PRÉSENTE GARANTIE LIMITÉE, OU À TOUTE AUTRE CAUSE, QUELLE QU'ELLE SOIT, BASÉE SUR LE CONTRAT, SUR LA RESPONSABILITÉ CIVILE OU TOUTE AUTRE RESPONSABILITÉ.

Certaines juridictions ne permettant pas l'exclusion ou la limitation de dommages accessoires ou consécutifs, il est possible que cette limitation ou exclusion ci-dessus ne vous concerne pas.

### APPLICATION DES LOIS NATIONALES

La présente garantie limitée vous offre des droits légaux spécifiques et il se peut que vous ayez d'autres droits qui varient d'une juridiction à une autre.

### CARTE DE GARANTIE

Pour assurer un service de garantie prompt et permanent, cette carte de garantie doit être remplie et envoyée à Manitowoc dans les trente (30) jours suivant la date de vente. Remplir la carte de garantie suivante et l'envoyer à Manitowoc.

**EC DECLARATION OF CONFORMITY**

We hereby declare that our products, ice machines and Multiplex refrigeration equipment comply with all the essential requirements of the listed EC - directives.

**Manufacturer:**

*Manitowoc Ice, Inc.  
2110 S. 26th Street, P.O. Box 1720  
Manitowoc, Wisconsin 54221-1720 USA*

**European Distributor:**

\_\_\_\_\_  
\_\_\_\_\_  
\_\_\_\_\_

**Representative of Manitowoc Ice, Inc.:**

Engineering Manager, (Printed name)

**Representative of European Distributor:**

\_\_\_\_\_

Signature

**Model and Serial No.**

**Applied EC Directives:**

**Applied Standards:**

EN60335-1 Safety of household and similar electrical appliances  
EN60335-2-24 Particular requirements refrigerators, food freezers and ice makers

EN55014 Electrical Motor Operated Appliances (Emissions)  
EN55014 Electro Magnetic Compatibility (Immunity)  
EN378 -1 to -4 Refrigeration Plants

Low Voltage 73/23/EEC  
EMC 89/336/EEC  
Pressure Equipment 97/23/EC



8201043  
08/25/03



© 2009 Manitowoc

Continuing product improvements may necessitate change of specifications without notice.

Part Number 000006520 11/11



Manitowoc Foodservice  
2110 South 26th Street, P.O. Box 1720  
Manitowoc, WI 54221-1720, USA  
Ph: 920-682-0161 Fax: 920-683-7589  
Visit us online at: [www.manitowocice.com](http://www.manitowocice.com)